

## Basis Plus

### Rail

- Extruded aluminium head rail profiles with 2, 3, 4 or 5 tracks
- Available colours: Aluminium anodized to E6/EV 1 or white powder-coated (RAL 9016), any other RAL colour possible on request
- Bearing length 6 m
- End caps in white or grey
- Fixation with ceiling clamping (standard) or ceiling clip (extra charge)
- Fixtures and fittings
- Track width 6 mm

### Panel carriage with velcro profile

- Extruded aluminium panel profile with pressed-in velcro tape
- Available colours: Aluminium anodized to E6/EV 1 or white powder-coated (RAL 9016)
- Bearing length 6 m
- Noise-damped rollers (silent type)
- T and L carriers - colour-matched to panel profile colour
- Frieze band

### Panel carriage with cord edge profile

- Extruded aluminium panel profile with cord edge opening
- Noise-damped rollers (silent type)
- T and L carriers for interconnecting the panels
- Hold down strip

### Panel carriage with design profile

- Extruded aluminium panel profile
- Well-shaped design with the same face on both sides (for room dividers)
- Noise-damped rollers (silent type)
- Subsequent installation in existing Basis plus panel blind head rail using a turning roll
- Only operation variant "freely slidable" possible
- Hold down strip

### Bottom weights

- Weight profile 3 x 20 mm aluminium (standard)
- Weight profile 6 x 20 mm aluminium (extra charge)
- Profile made of extruded aluminium for weights in piping
- Available colours: silver or white

### RANGE OF SIZES

#### Freely slidable

<b>Installation width</b>	590 cm*
<b>Min. panel width</b>	30 cm**
<b>Max. panel width</b>	140 cm**
<b>Max. panel height</b>	350 cm**
<b>Max. panel weight</b>	1.5 kg

\*Bigger installation width possible with connector  
\*\*depending on fabric

### RANGE OF SIZES

#### Draw bar

<b>Installation width</b>	590 cm
<b>Min. panel width</b>	30 cm*
<b>Max. panel width</b>	70 cm*
<b>Max. panel height</b>	220 cm*
<b>Max. panel weight</b>	1.5 kg
<b>Max. number of connected panels</b>	3 panels

\* depending on fabric

### RANGE OF SIZES

#### Cord operation

<b>Installation width</b>	590 cm
<b>Min. panel width</b>	30 cm*
<b>Max. panel width</b>	140 cm*
<b>Max. panel height</b>	300 cm*
<b>Max. panel weight</b>	1.5 kg
<b>Max. installation weight</b>	6 kg
<b>Max. number of connected panels</b>	5 panels

\* depending on fabric

### RANGE OF SIZES

#### Motor

<b>Installation width</b>	590 cm
<b>Min. panel width</b>	30 cm*
<b>Max. panel width</b>	140 cm*
<b>Max. panel height</b>	300 cm*
<b>Max. panel weight</b>	1.5 kg
<b>Max. installation weight</b>	8 kg
<b>Max. number of connected panels</b>	5 panels

\* depending on fabric



White  
201

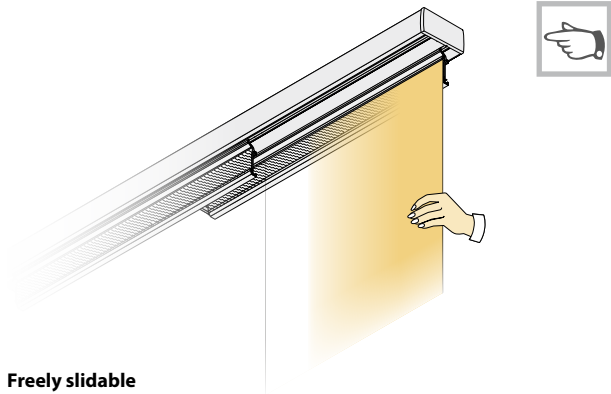


Silver  
241

# Basis Plus

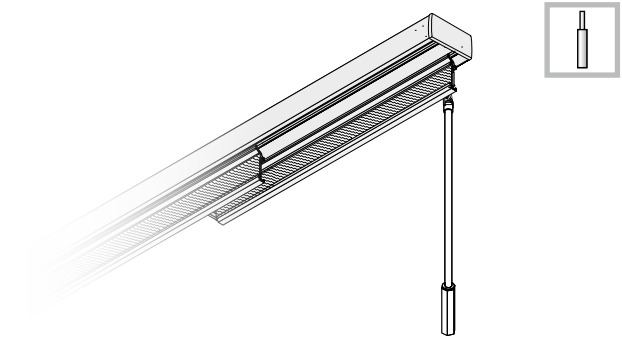
Panel blinds

## Operation variants Basis Plus



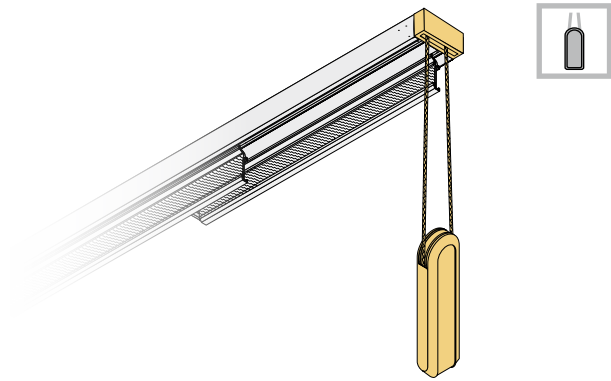
### Freely slidable

- The position of the individual panel carriages can be selected freely
- The panel carriages can be combined with a draw bar



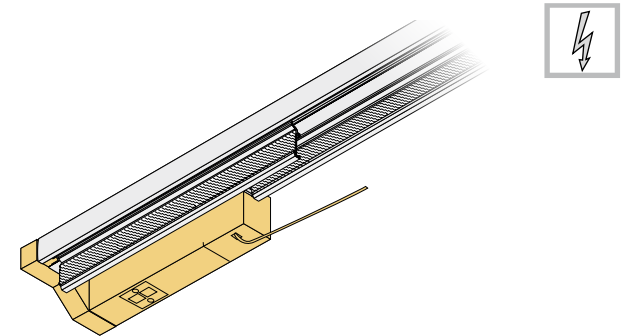
### Draw bar

- The individual panel carriages are interconnected with carriers
- Operation with draw bar
- Premounted



### Cord operation

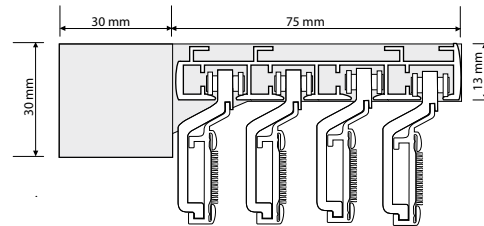
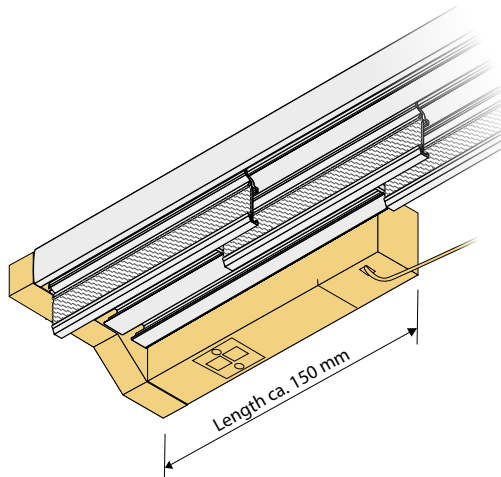
- The individual panel carriages are interconnected with carriers
- Cord operation
- Premounted



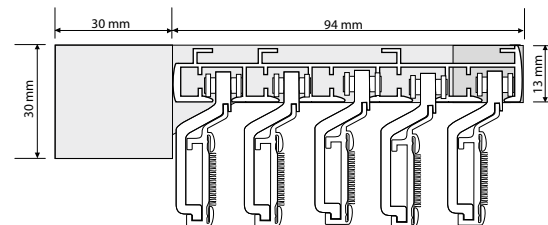
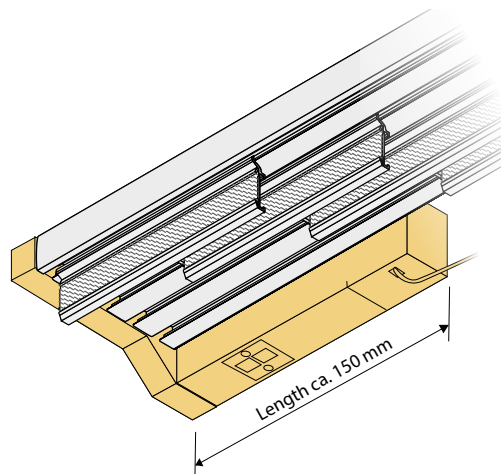
### Motor

- The individual panel carriages are interconnected with carriers
- Operation with motor

TECHNICAL DATA (MOTOR)



4-track (scale 1:2)



5-track (scale 1:2)

Motor type: DC motor  
Voltage: 24 V  
Rated current: 300 mA  
Torque: max. 6 Ncm  
Rotations: 59 rpm  
Speed: 6.7 cm/s  
Type of protection: IP 41

**Product features**

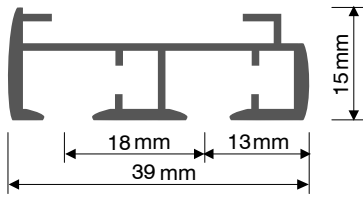
- Operating side: left or right, behind the panel
- Only for 4 or 5-track installations
- Flat design is almost completely hidden by carriage and rail, design height 30 mm
- Noise-optimised
- Transport of panels with special cylindrical chain
- Can be operated with common transformers / transformer & wireless receiver combinations with 24 V DC
- Integrated mechanical limit switch
- Only with white rail, note max. dimensions

# Basis Plus

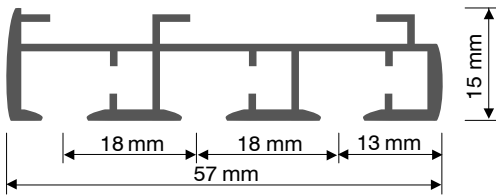
Panel blinds

## Rail profile Basis Plus Scale 1:1

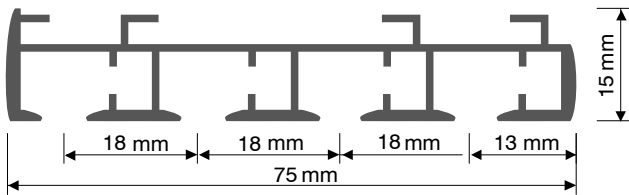
7520



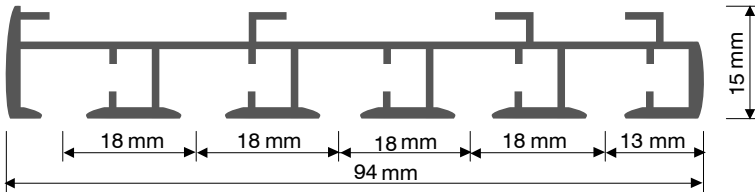
7530



7540



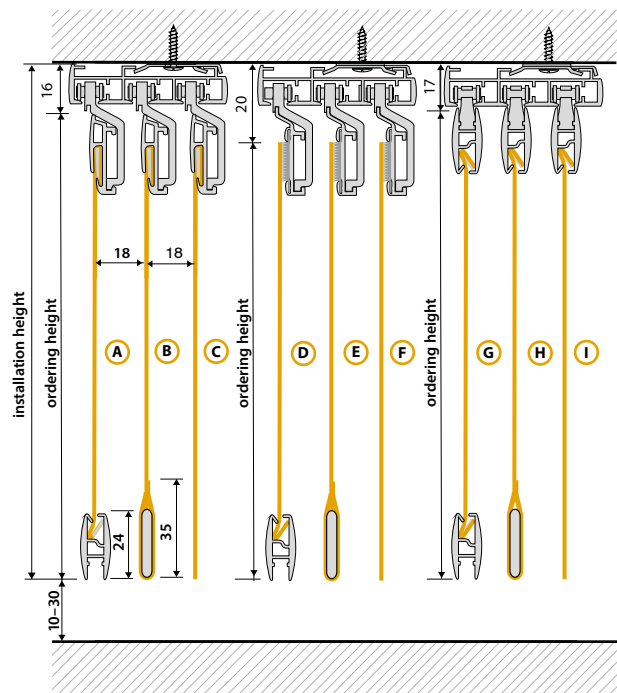
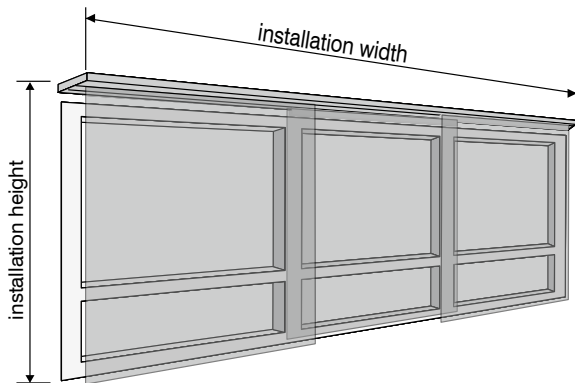
7550



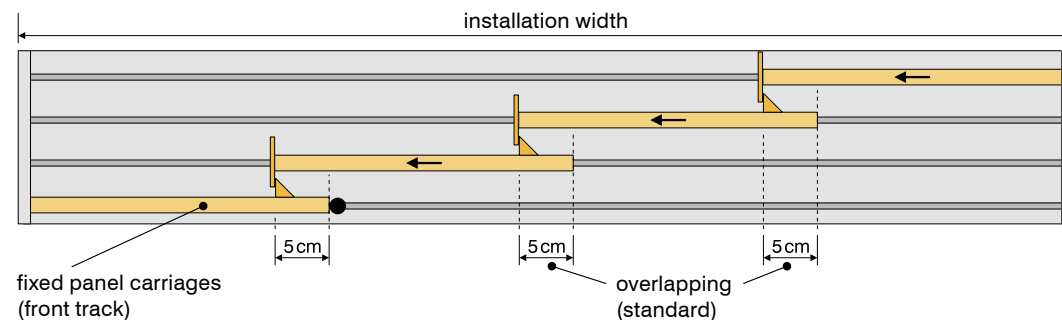
## Site measuring (notes) Basis Plus

### Determining the installation measures

The width of the rail incl. end caps is the installation width. Please deduct min. 10 mm if you install your panel in a recess.  
The installation height is measured from the upper edge of the mechanism to the lower edge of the panel. We recommend deducting ca. 10 to 30 mm from the height to the bottom.



### PANEL CALCULATION



#### Calculating the panel width

If the number of panels has been selected, you can calculate the panel width as follows:

$$\text{Panel width} = \frac{\text{Installation width} - \text{overlapping}}{\text{Number of panels}} + \text{overlapping}$$

Overlapping standard 5 cm

#### Calculating the number of panels

If the panel width has been selected, you can calculate the number of panels as follows:

$$\text{Number of panels} = \frac{\text{Installation width} - \text{overlapping}}{\text{Panel width} - \text{overlapping}}$$

Overlapping standard 5 cm



**For installation heights from 2.50 m an overlapping of 10 cm is recommended.**

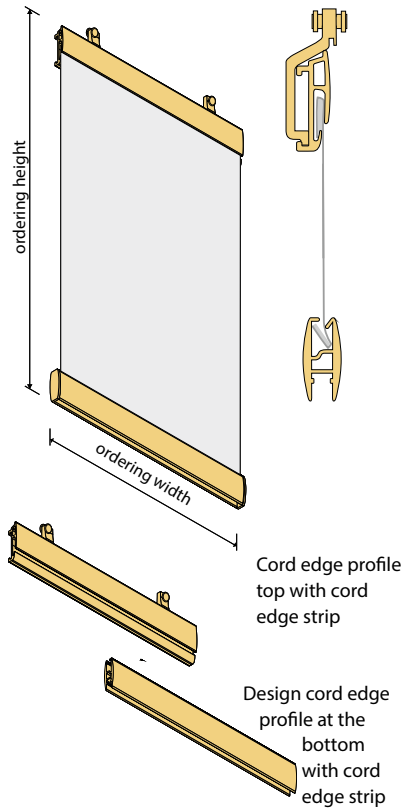
# Basis Plus

Panel blinds

## List of panel carriages Basis Plus

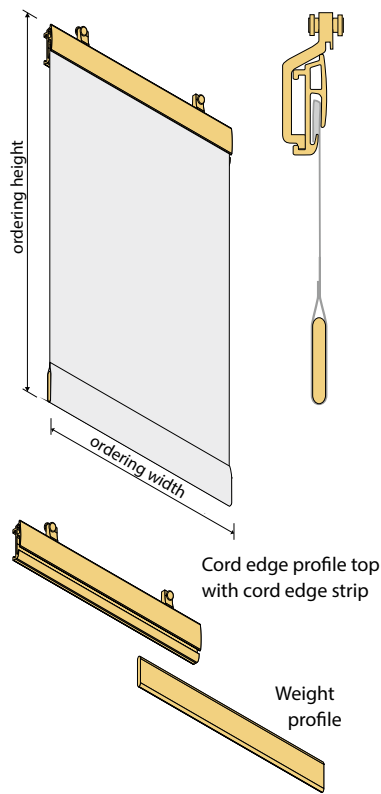
### VERSION A

Panel carriage with cord edge profile top and bottom incl. panel carriage rollers, cord edge profile top and bottom with cord edge strip



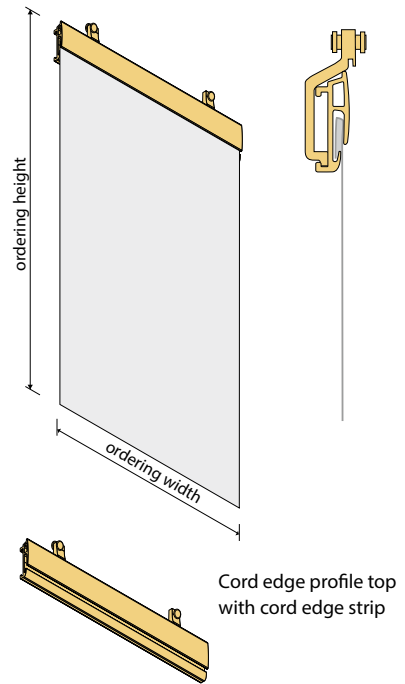
### VERSION B

Panel carriage with cord edge and weight profile incl. panel carriage rollers, cord edge profile top with cord edge strip, weight profile 3 x 20 mm at bottom



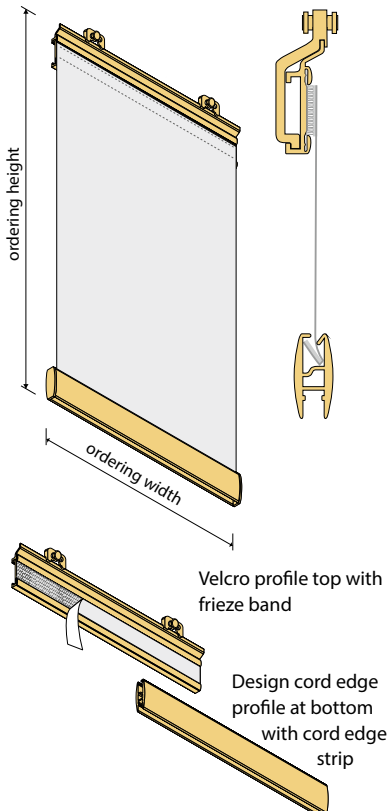
### VERSION C

Panel carriage with cord edge profile incl. panel carriage rollers, cord edge profile top with cord edge strip



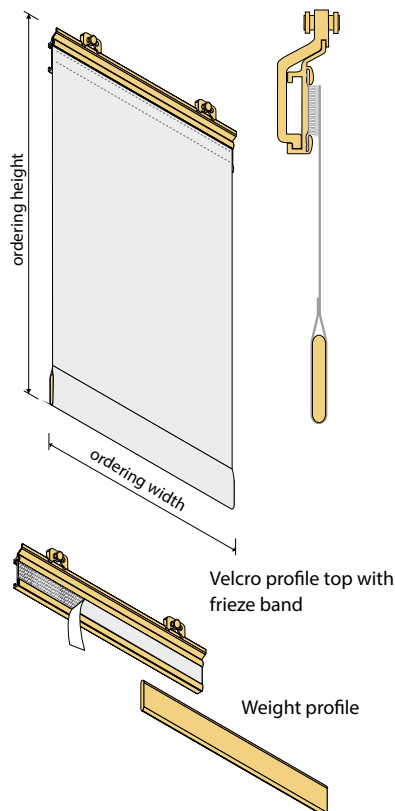
### VERSION D

Panel carriage with velcro and cord edge profile incl. panel carriage rollers, velcro profile top with frieze band and cord edge profile at bottom with cord edge strip



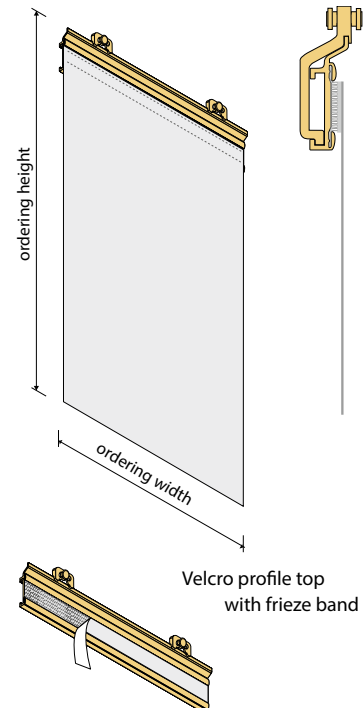
### VERSION E

Panel carriage with velcro and weight profile incl. panel carriage rollers, velcro profile top with frieze band, weight profile 3 x 20 mm at bottom



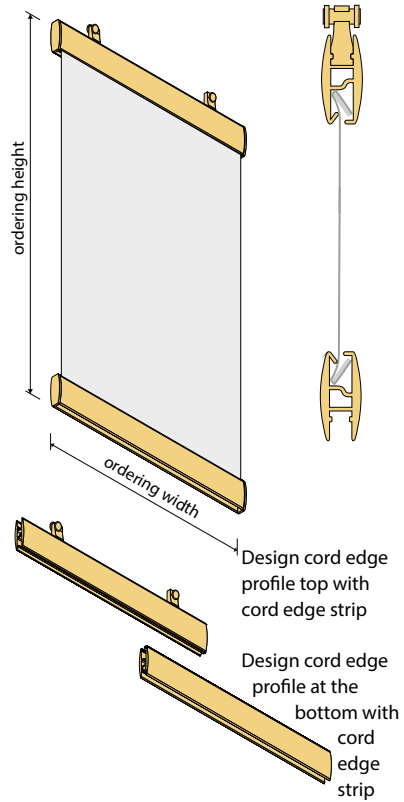
### VERSION F

Panel carriage with velcro profile incl. panel carriage rollers, velcro profile top with frieze band



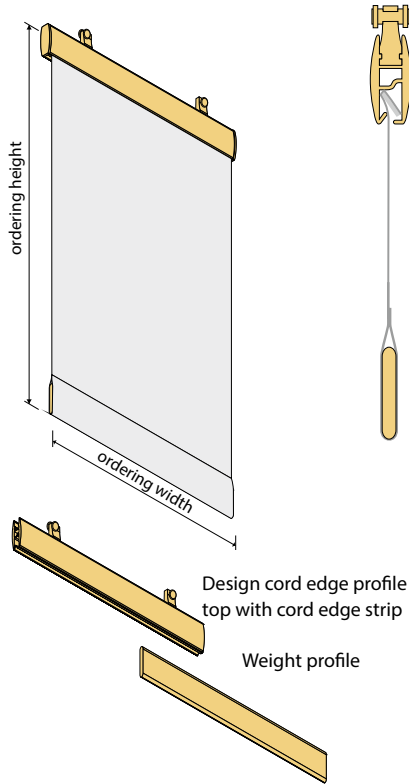
VERSION G

**Panel carriage with design profile top and bottom**  
incl. panel carriage rollers, design profile top and bottom with cord edge strip



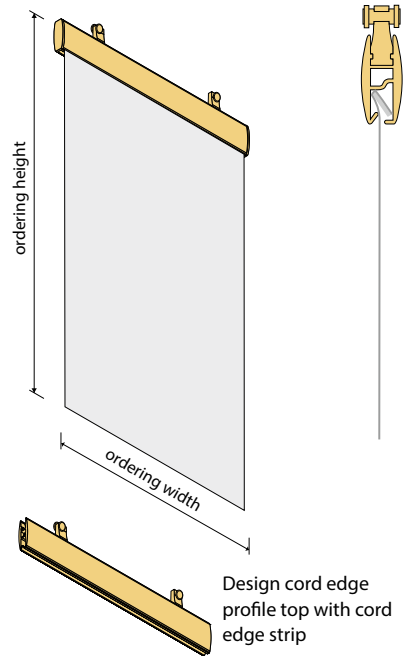
VERSION H

**Panel carriage with design and weight profile**  
incl. panel carriage rollers, design profile top with cord edge strip and weight profile 3 x 20 mm at bottom



VERSION I

**Panel carriage with design profile**  
incl. panel carriage rollers, design profile top with cord edge strip



# Basis Plus

Panel blinds

## Panel blind made of segments

### PRODUCT DESCRIPTION

- Made-to-measure panels made of segments
- Split by intermediate profile with hold down strip
- Please order intermediate profile separately

#### Upper end:

- Panel with frieze band
- Panel with cord edge

#### Lower end:

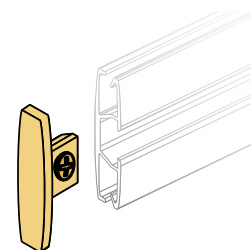
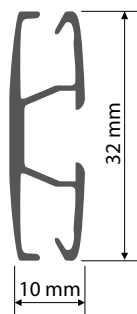
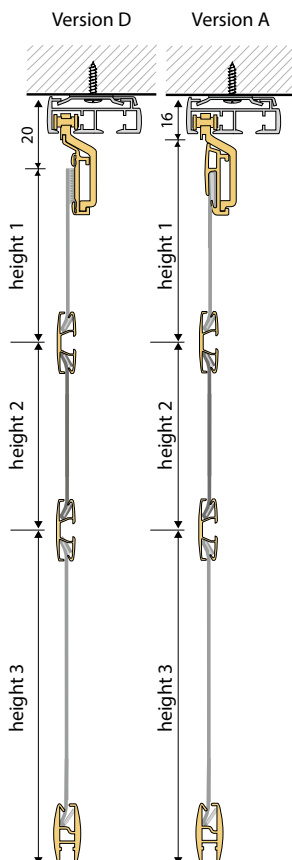
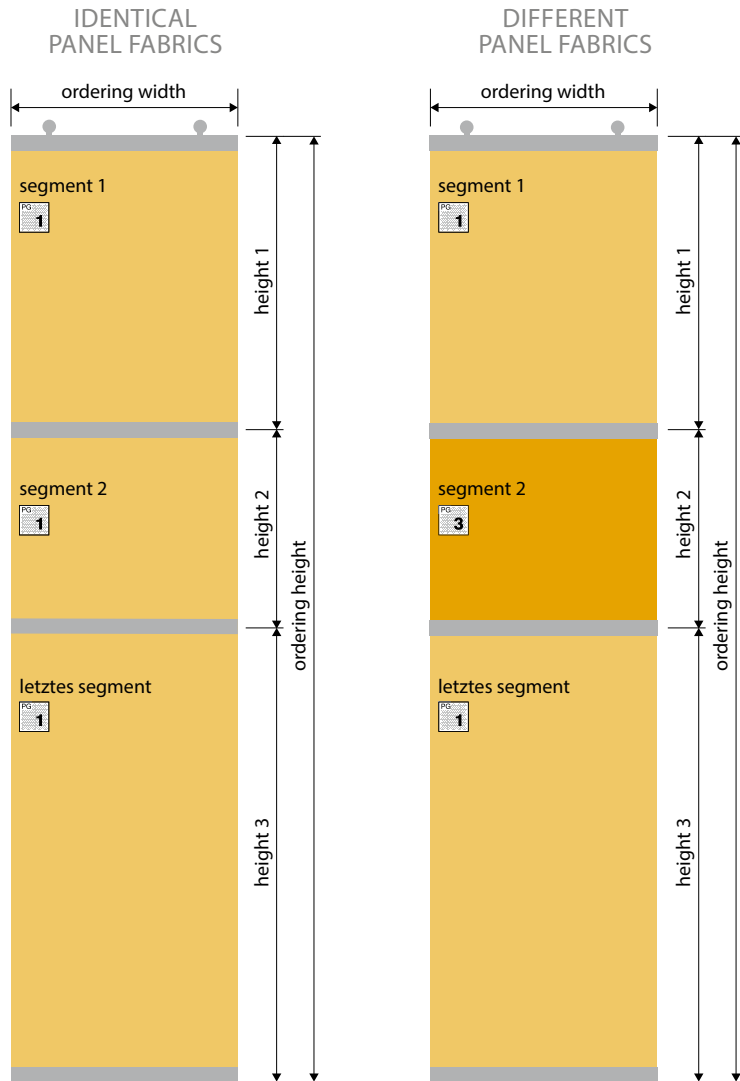
- Design profile (cord edge) matching the central profile

### NUMBER OF SEGMENTS

- The following sectioning is recommended:

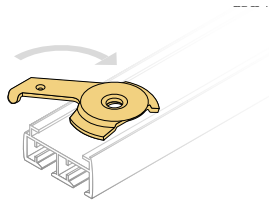
Height of panel	Number of segments
Up to 100 cm	1 segment
Up to 150 cm	2 segments
Up to 200 cm	3 segments
Up to 250 cm	4 segments
Up to 300 cm	5 segments

- Please give measures for segments with different heights

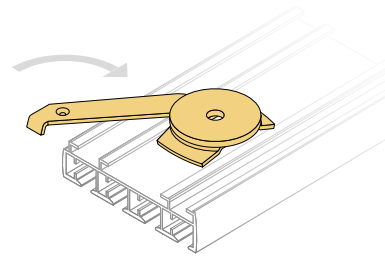
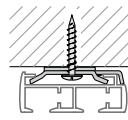




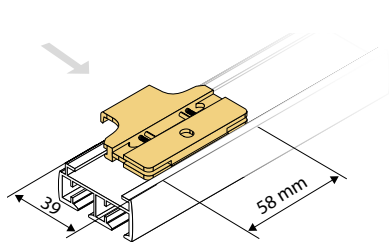
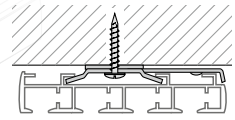
## Mounting examples Basis Plus



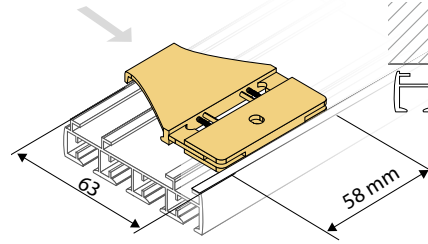
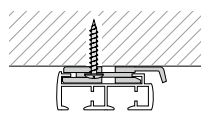
**Ceiling clamping for 2 / 3-track rail**  
min. wall distance: 35 mm



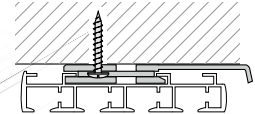
**Ceiling clamping for 4 / 5-track rail**  
min. wall distance: 85 mm



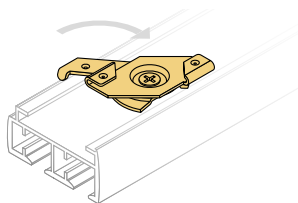
**Ceiling clip for rail 7520 and 7530**



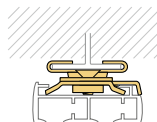
**Ceiling clip for rail 7540 and 7550**



**Assembly instruction: Ceiling clip can be used for rails 7520, 7350, 7540 and 7550 only if the rails are installed to straight concrete or plasterboard ceilings!**



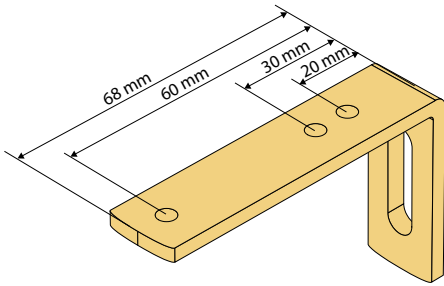
**High-speed assembly clip with ceiling clamping**



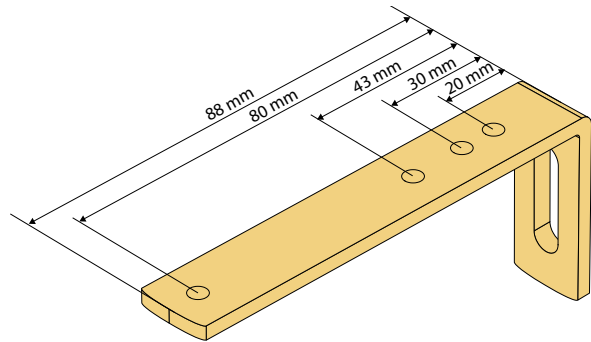
# Basis Plus

Panel blinds

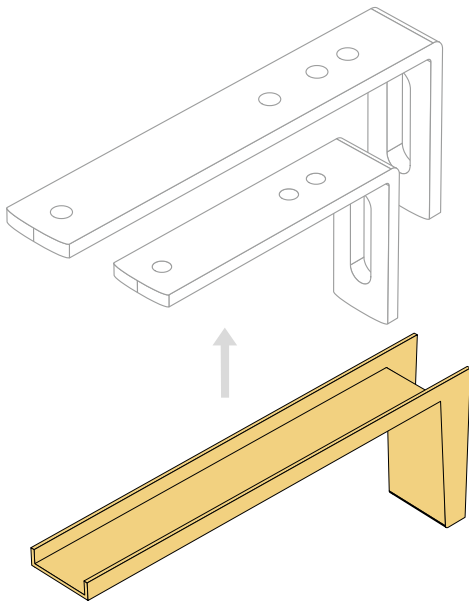
## Mounting examples Basis Plus



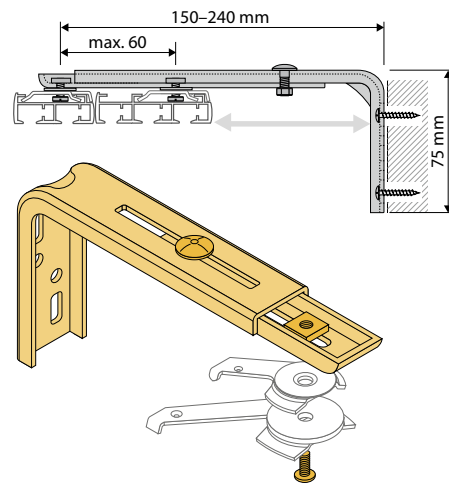
**Wall fixing bracket 70 mm**  
for mounting 2 / 3-track rails, metal: white, silver



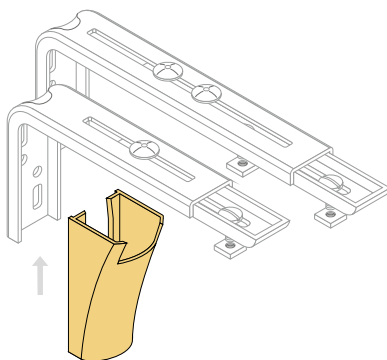
**Wall fixing bracket 90 mm**  
for mounting 4 / 5-track rails, metal: white, silver



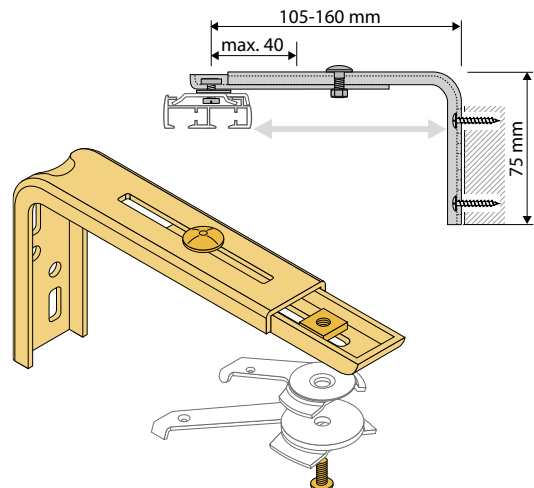
**Cover for wall fixing bracket**  
plastic: white, silver



**Wall fixing bracket**  
adjustable from 150 to 240 mm, metal: white, silver



**Cover cap for wall fixing bracket**  
plastic: white, grey



**Wall fixing bracket**  
adjustable from 105 to 160 mm, metal: white, silver