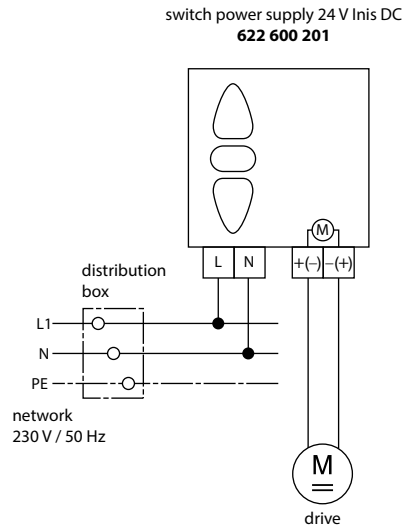
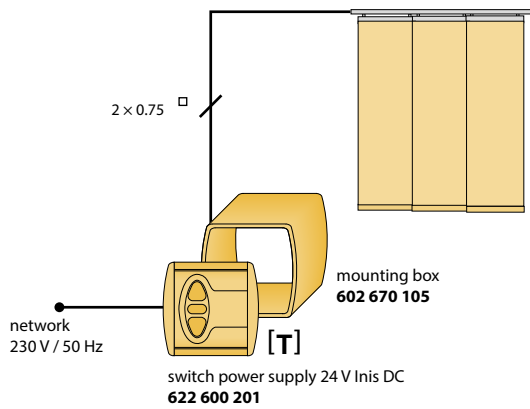
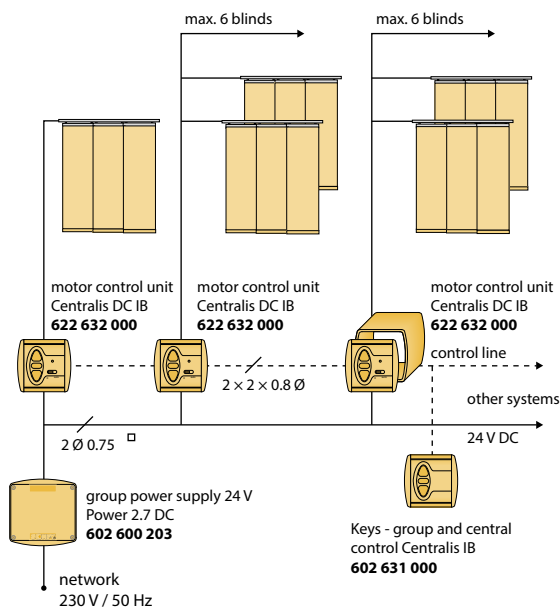


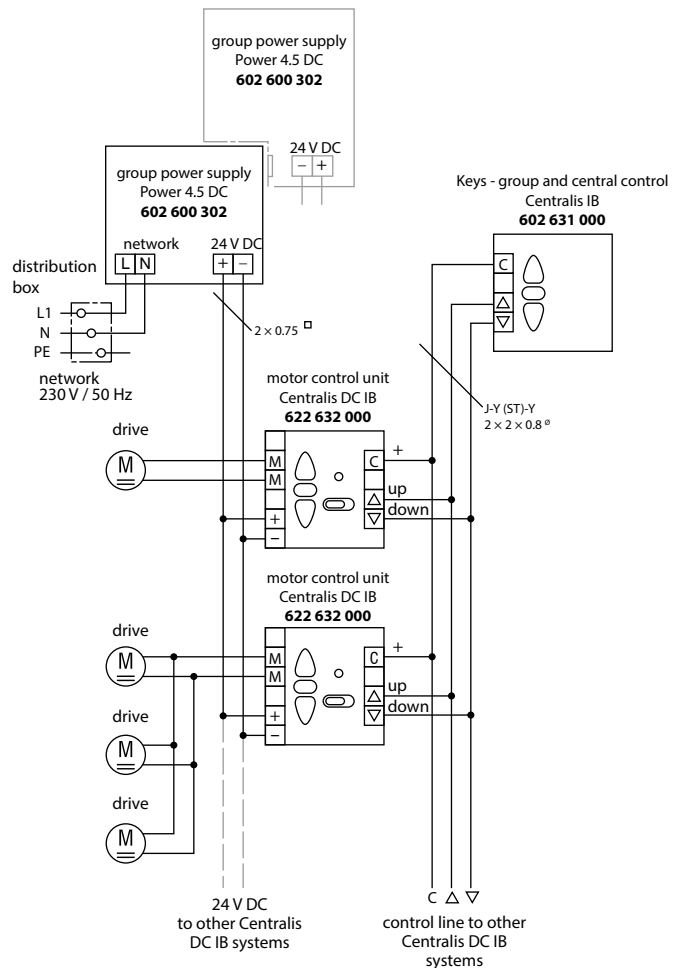
Single operation



Group operation



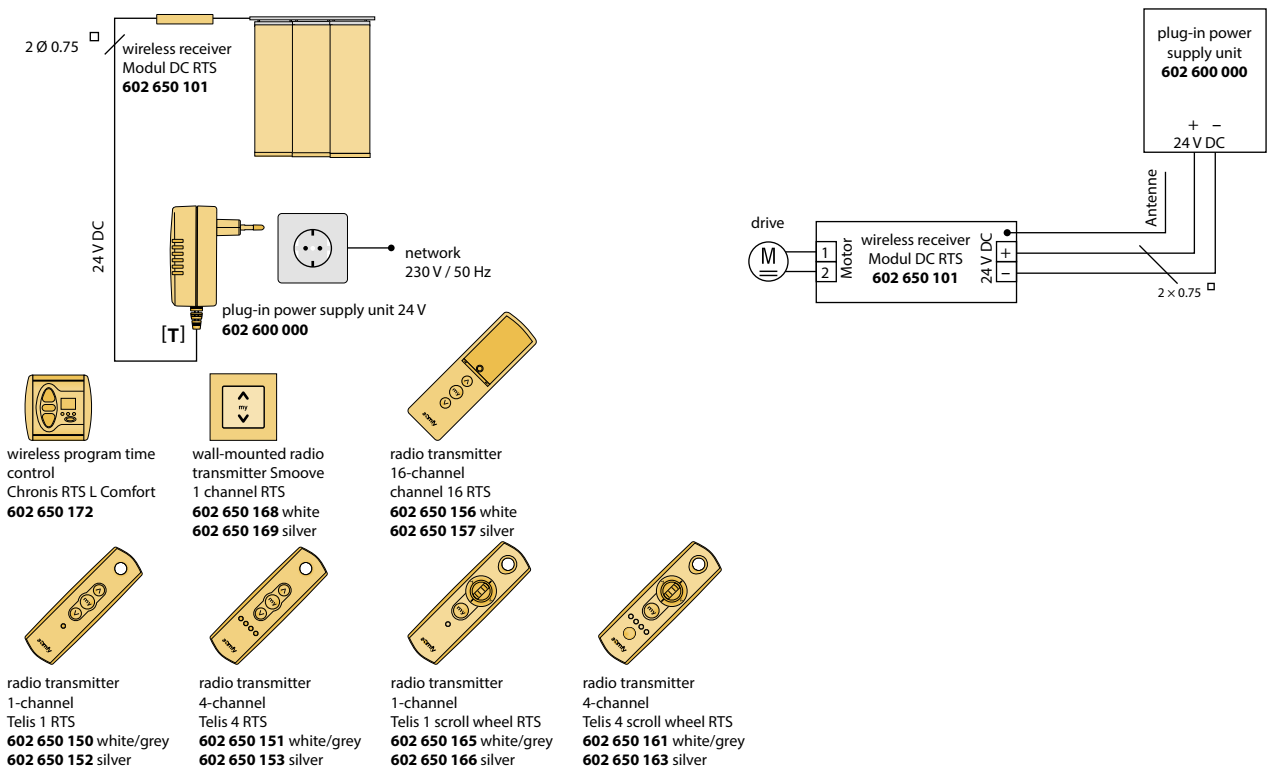
Please note maximum number of drives per power supply unit. If required, use the group power supply Power 4.5 DC.



Circuit diagrams Basis Plus

Panel blinds

Single remote control



Group remote control

