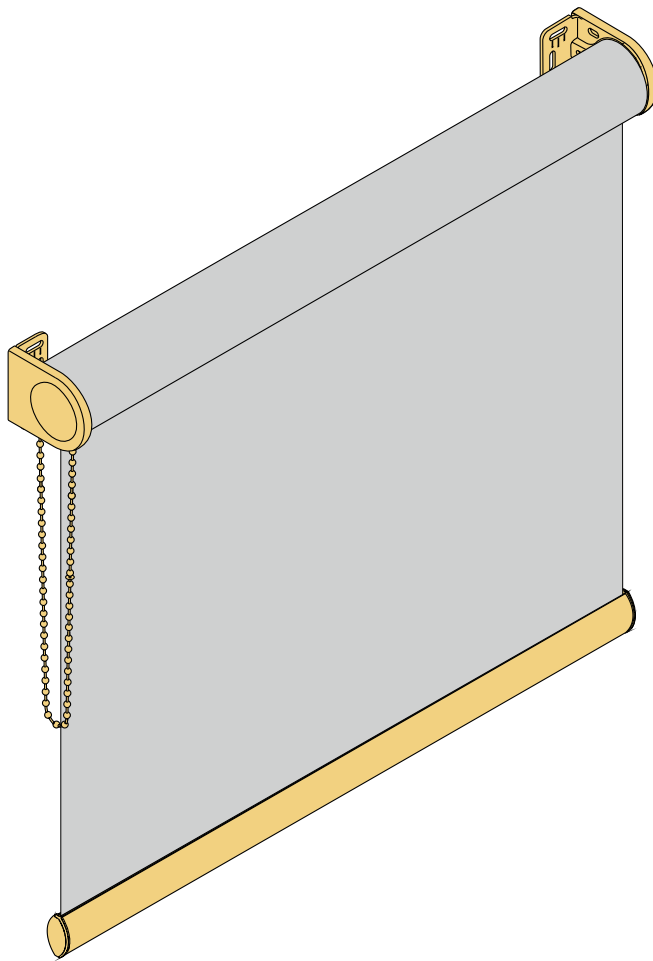


## L - Basis



- Customization
- Roller blind for holder fixation
- Aluminium shaft: Ø 31 mm , Ø 37 mm and Ø 50 mm with piping groove
- Standard: Metal brackets
- Operating elements in transparent, white, grey or nickel
- Operating side right or left possible
- Plastic parts in white or grey
- powder-coated aluminum profile (white RAL 9016 or anodised silver)
- Bracket fixation (three different sizes (depending on the size))
- Side guidance (rope guidance) available
- Design brackets and gear drives in stainless steel look are available against surcharge.

## RANGE OF SIZES

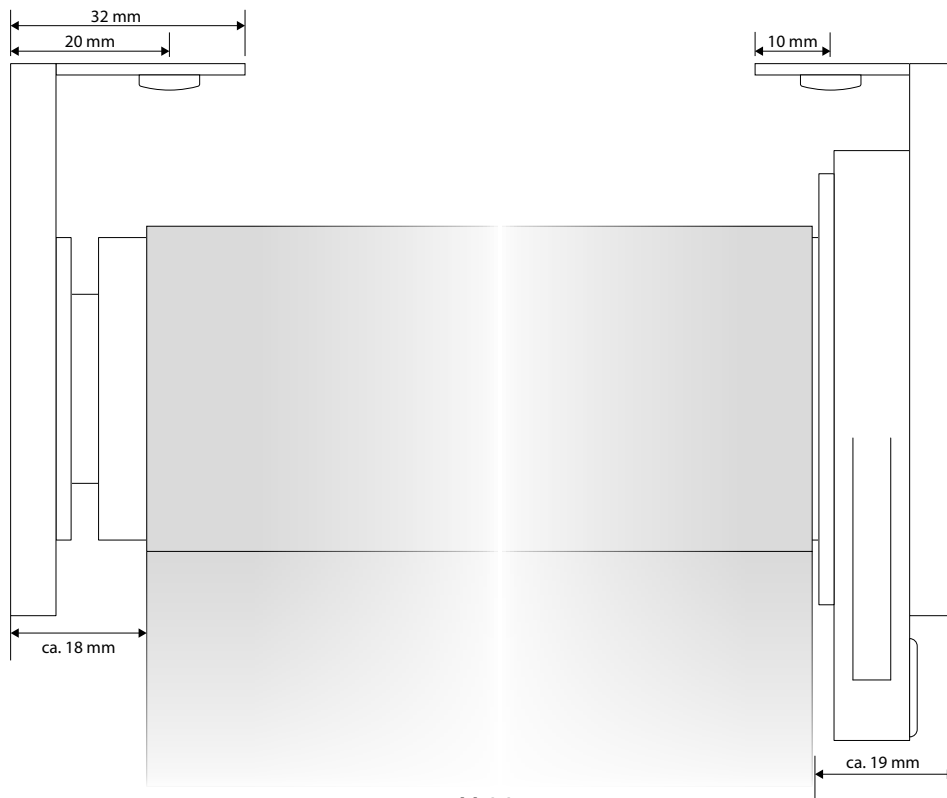
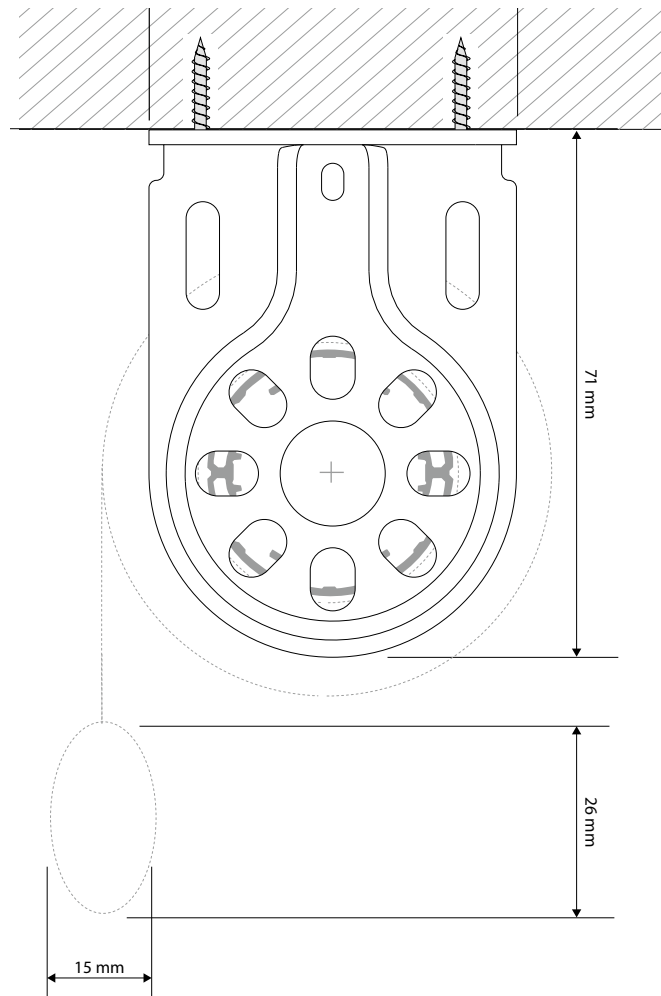
<b>min. width</b>	40 cm
<b>max. width</b>	360 cm
<b>max. height</b>	340 cm*
<b>max. area</b>	ca. 10,8 m <sup>2</sup>

\*depending on fabric

# L - Roller blinds

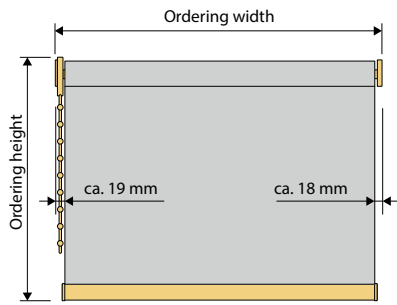
Roller blinds

## L - Basis ceiling fixation Scale 1:1

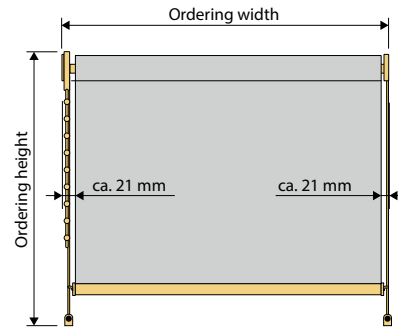


## Site measuring L - Basis

Site measuring and fabric deduction



Rope guidance



## Assembly types L - Basis

Wall / ceiling fixation with holder

standard brackets

