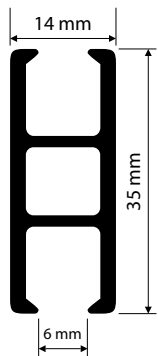


Privacy rail system 4100

Aluminium rails

System 4100



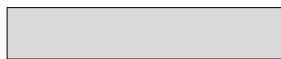
PRODUCT FEATURES

- Universal and sturdy room divider profile
- Suitable for use in hospitals, medical practices, physiotherapy practices, workshops, changing rooms
- Ceiling and wall fixation and suspended fixation
- Profile unsupported on 200 cm
- Use of rollers possible
- Track width 6 mm
- Bearing length 7 m

AVAILABLE COLOURS

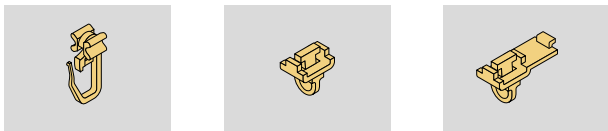


White (RAL 9016)



Silver (anodized)

STANDARD COMPONENTS

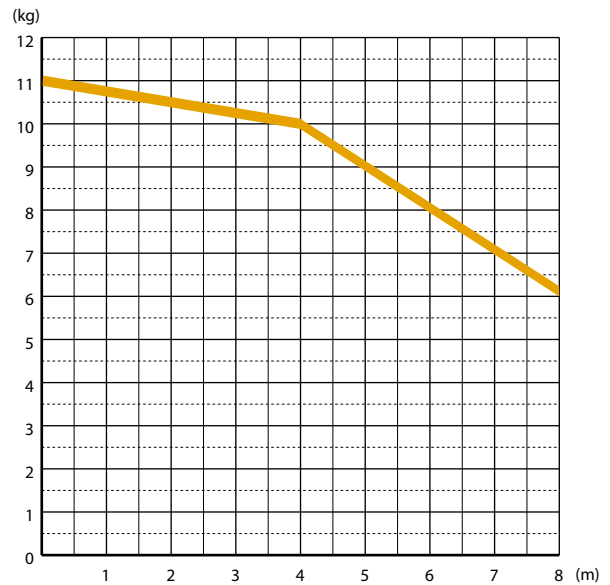


SELECTABLE GLIDERS



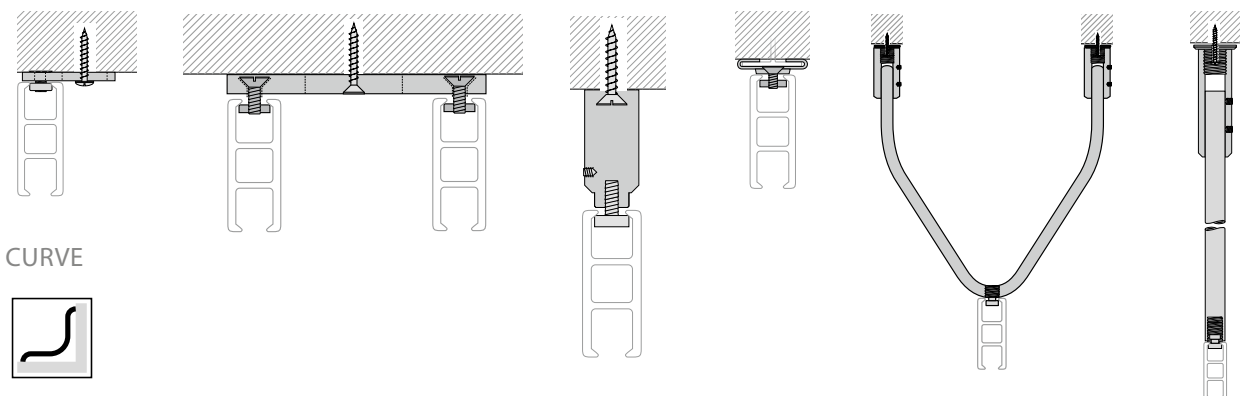
For the exact designation of standard components and gliders and for more gliders refer to **Accessories**.

LOAD TABLE



Please use **rollers or object gliders** for heavy curtains.

ASSEMBLY OPTIONS



CURVE

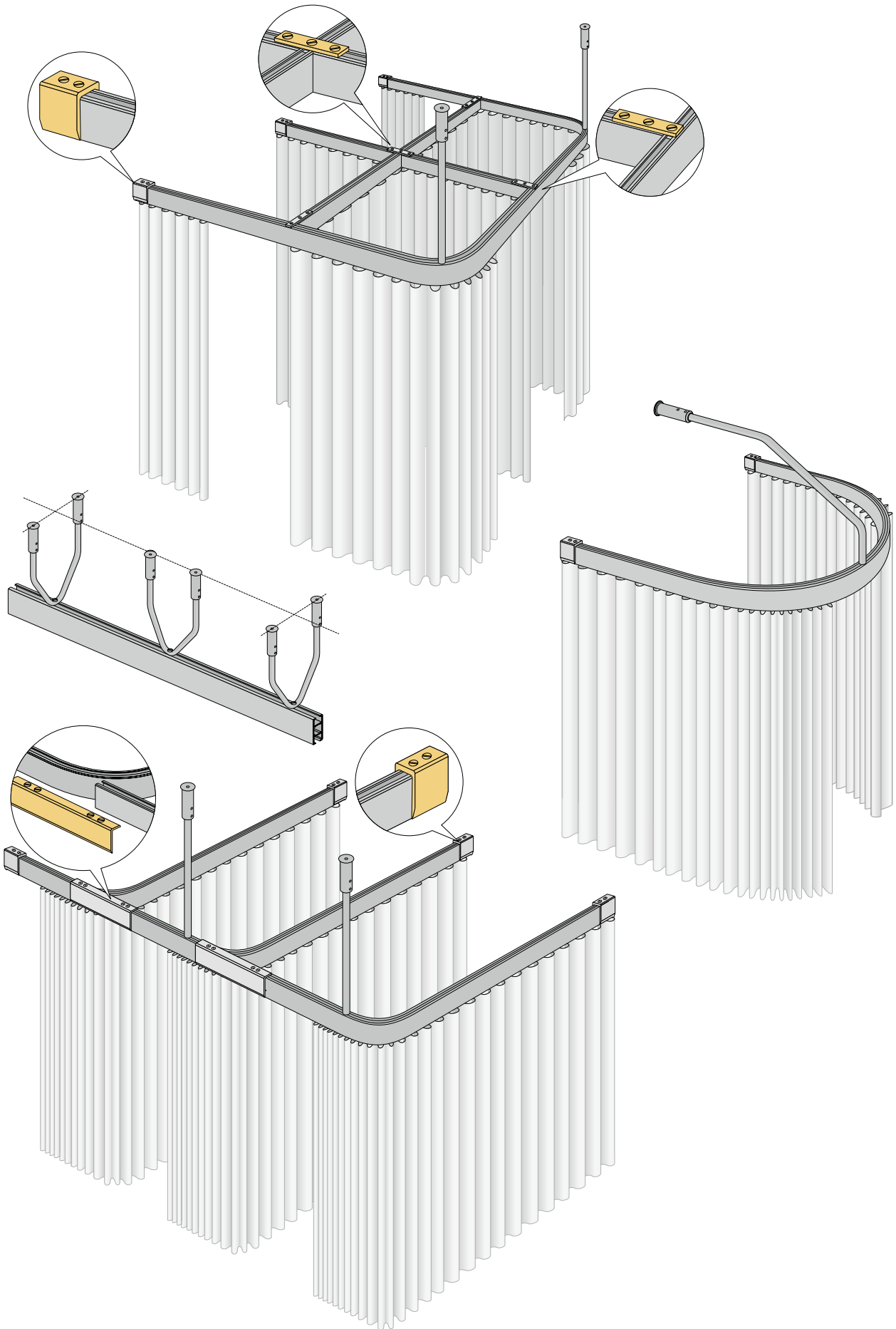


Horizontal curve

Possible radii: **20 cm, from 30 cm any radius possible**

Privacy rail system 4100

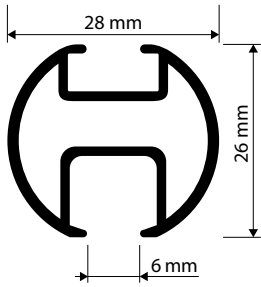
Aluminium rails



Privacy rail system 5100

Aluminium rails

System 5100



PRODUCT FEATURES

- Universal and sturdy room divider profile
- Suitable for use in hospitals, medical practices, physiotherapy practices, workshops, changing rooms
- Ceiling and wall fixation and suspended fixation
- Use of rollers possible
- Track width 6 mm
- Bearing length 7 m

AVAILABLE COLOURS

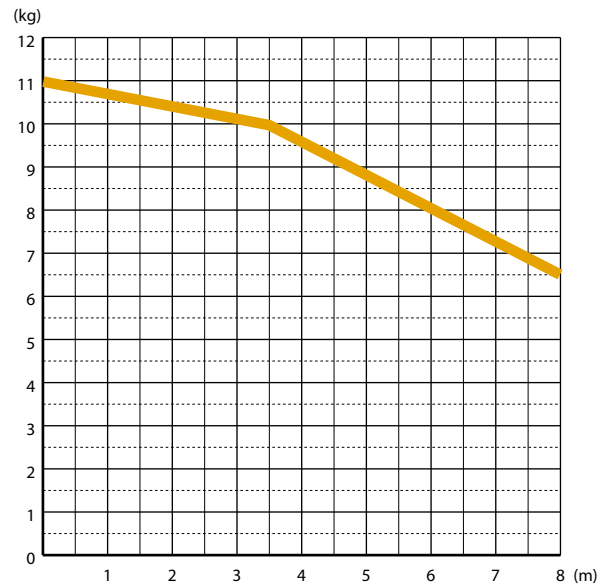


White (RAL 9016)



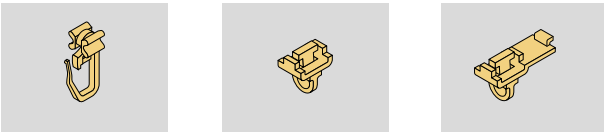
Silver (anodized)

LOAD TABLE

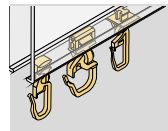
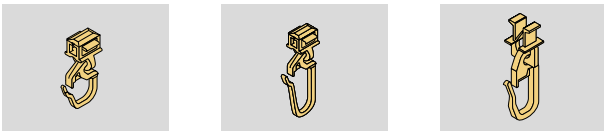


Please use **rollers or object gliders** for heavy curtains.

STANDARD COMPONENTS

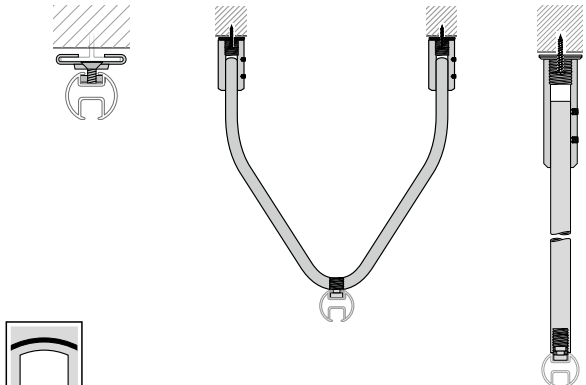
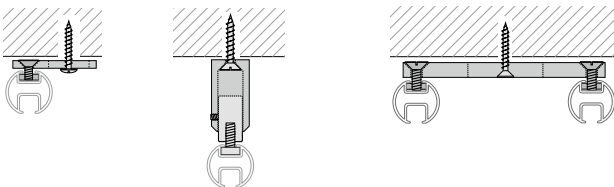


SELECTABLE GLIDERS



For the exact designation of standard components and gliders and for more gliders refer to **Accessories**.

ASSEMBLY OPTIONS



CURVE



Horizontal curve

Possible radii: **15 cm, from 40 cm any radius possible**



Vertical curve

Possible radii: **15 cm, from 40 cm any radius possible**

