

Objecta

Rail

- Extruded aluminium rail profile with 2 and 3 tracks
- Multi-channel installations with 4, 5, 6 tracks are combined with these two profiles
- Installations with 4, 5, 6 tracks with cord operation are delivered premounted
- Available colours: Aluminium anodized to E6/EV1 or white powder-coated (RAL 9016)
- Any other RAL colour available on request
- Bearing length: 6 m
- End caps in white or grey
- Fixation with ceiling clip
- Fixtures and fittings
- Track width 6 mm

Panel carriage with cord edge profile

- Basic profile made of extruded aluminium
- Cord edge profile made of extruded aluminium (available colours: white powder-coated RAL 9016 or aluminium anodized to E6/EV1)
- Rollers with excellent running properties
- T and L carriers for interconnecting the panels

Panel carriage with velcro profile

- Basic profile made of extruded aluminium
- Velcro profile made of plastic (colour: white)
- Rollers with excellent running properties
- T and L carriers for interconnecting the panels

Bottom weights

- Weight profile 3 x 20 mm aluminium (standard)
- Weight profile 6 x 20 mm aluminium (extra charge)
- Profile made of extruded aluminium for weights in piping
- Available colours: silver or white

RANGE OF SIZES

Freely slidable

Installation width	590 cm*
Min. panel width	30 cm**
Max. panel width	140 cm**
Max. panel height	380 cm**
Max. panel weight	2.8 kg

*Bigger installation width possible with connector
**depending on fabric

RANGE OF SIZES

Draw bar

Installation width	590 cm
Min. panel width	30 cm*
Max. panel width	100 cm*
Max. panel height	380 cm*
Max. panel weight	1.5 kg
Max. number of connected panels	3 panels

* depending on fabric

RANGE OF SIZES

Cord operation

Installation width	590 cm
Min. panel width	30 cm*
Max. panel width	140 cm*
Max. panel height	380 cm*
Max. panel weight	2.8 kg
Max. installation weight	12 kg
Max. number of connected panels	5 panels

* depending on fabric



White
201

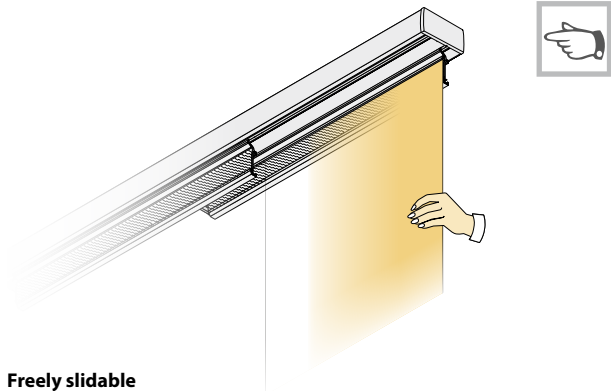


Silver
241

Objecta

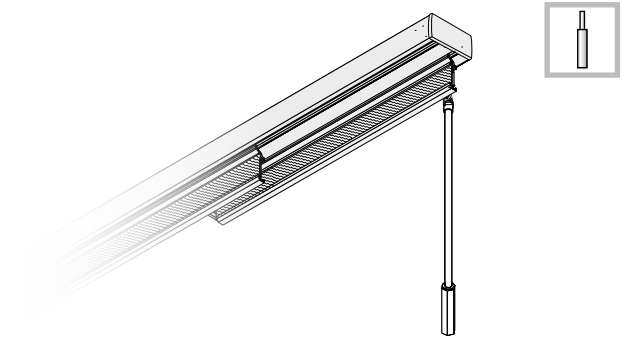
Panel blinds

Operation variants Objecta



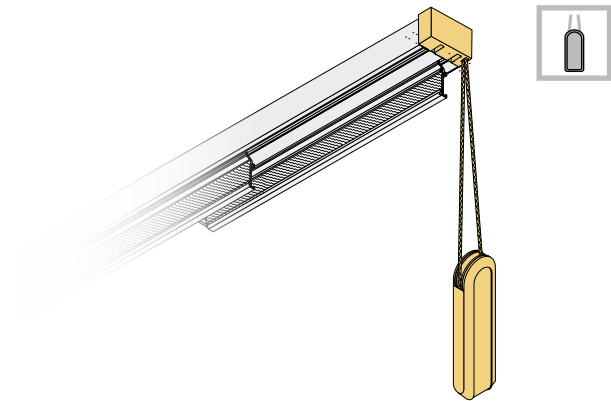
Freely slidable

- The position of the individual panel carriages can be selected freely
- The panel carriages can be combined with a draw bar



Draw bar

- The individual panel carriages are interconnected with carriers
- Operation with draw bar
- Premounted

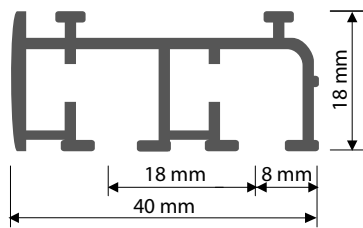


Cord operation

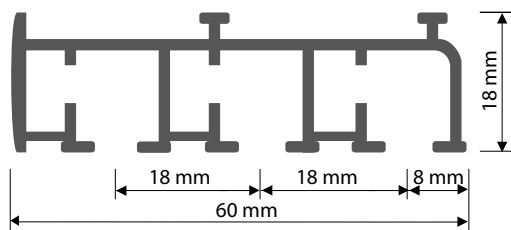
- The individual panel carriages are interconnected with carriers
- Cord operation
- Premounted

Rail profile Objecta Scale 1:1

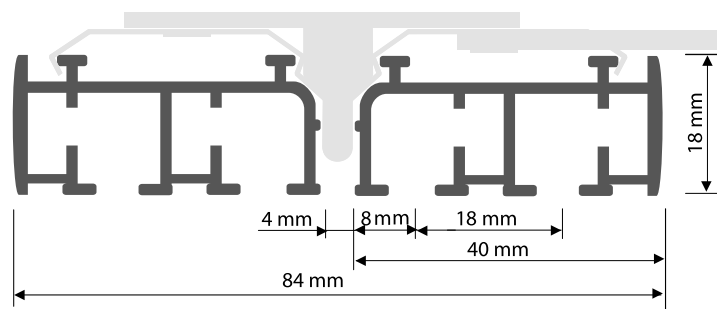
7620



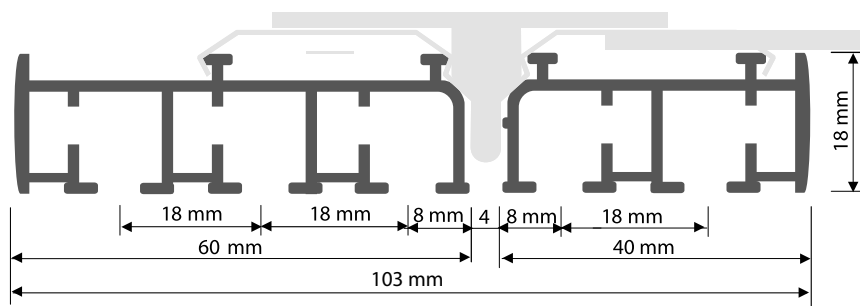
7630



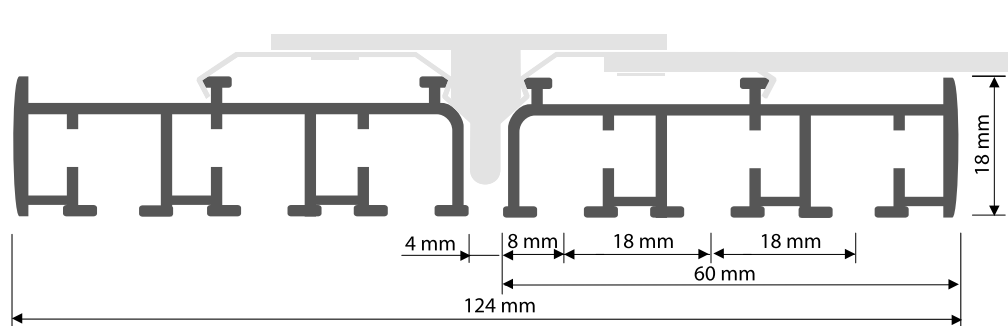
7620 / 7620



7630 / 7620



7630 / 7630



Objecta

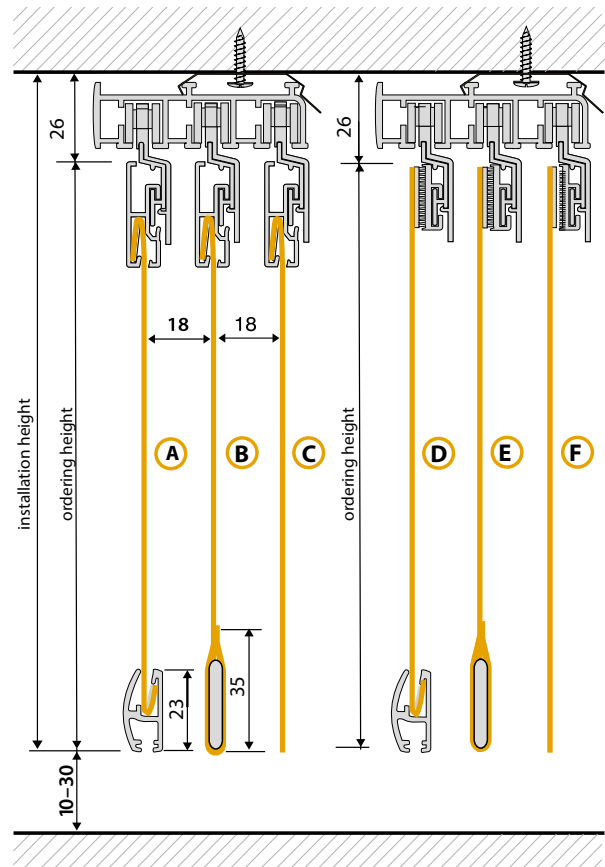
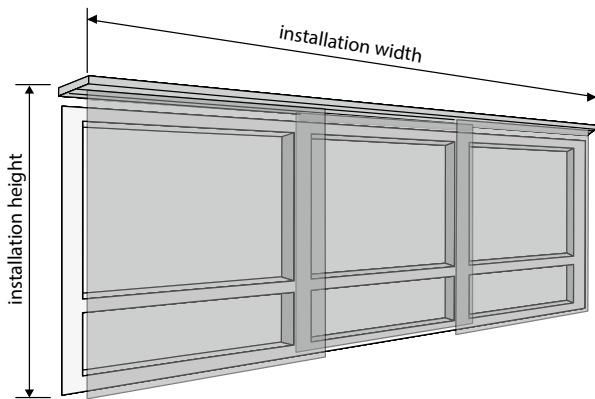
Panel blinds

Site measuring (notes) Objecta

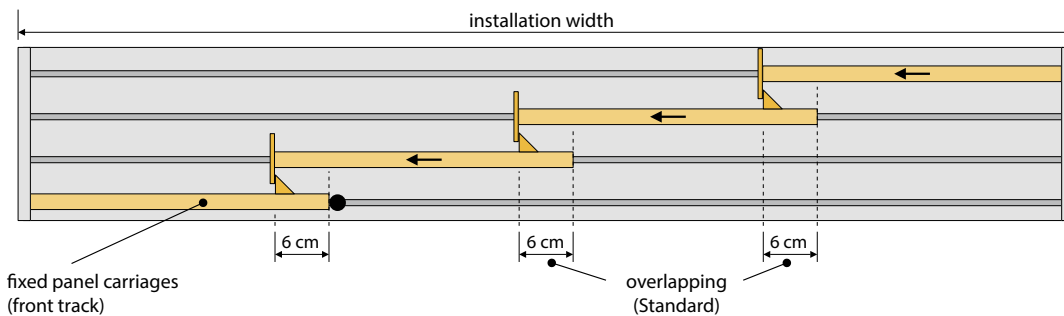
Determining the installation measures

The width of the rail incl. end caps is the installation width. Please deduct min. 10 mm if you install your panel in a recess.

The installation height is measured from the upper edge of the mechanism to the lower edge of the panel. We recommend deducting ca. 10 to 30 mm from the height to the bottom.



PANEL CALCULATION



Calculating the panel width

If the number of panels has been selected, you can calculate the panel width as follows:

$$\text{Panel width} = \frac{\text{Installation width} - \text{overlapping}}{\text{Number of panels}} + \text{overlapping}$$

Overlapping standard 6 cm

Calculating the number of panels

If the panel width has been selected, you can calculate the number of panels as follows:

$$\text{Number of panels} = \frac{\text{Installation width} - \text{overlapping}}{\text{Panel width} - \text{overlapping}}$$

Overlapping standard 6 cm

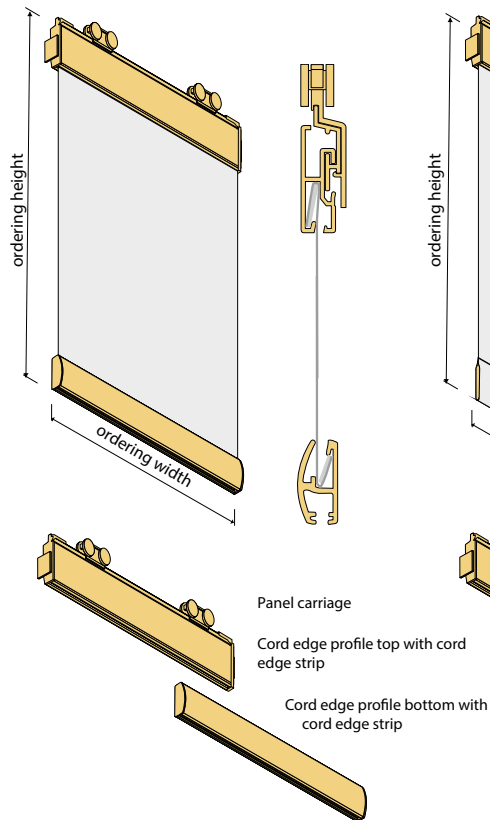


For installation heights from 2.50 m an 10 cm overlapping is recommended.

List of panel carriages Objecta

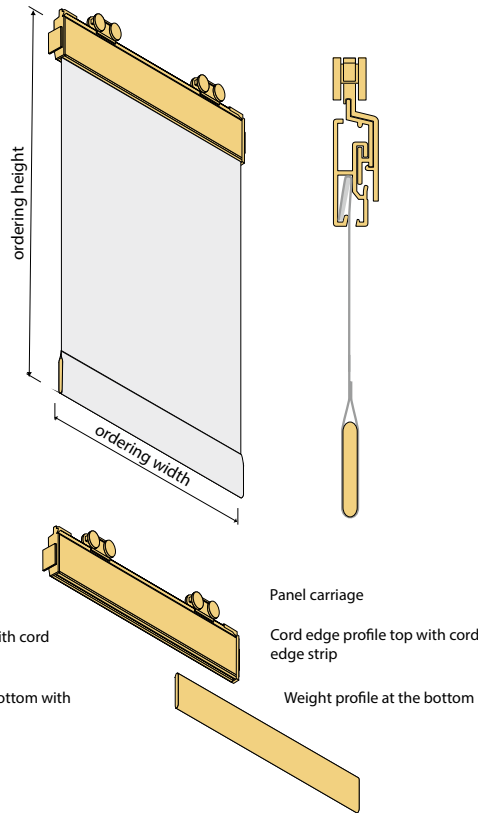
VERSION A

Panel carriage with cord edge profile at the top and bottom incl. panel carriage, cord edge profile top and bottom with cord edge strip



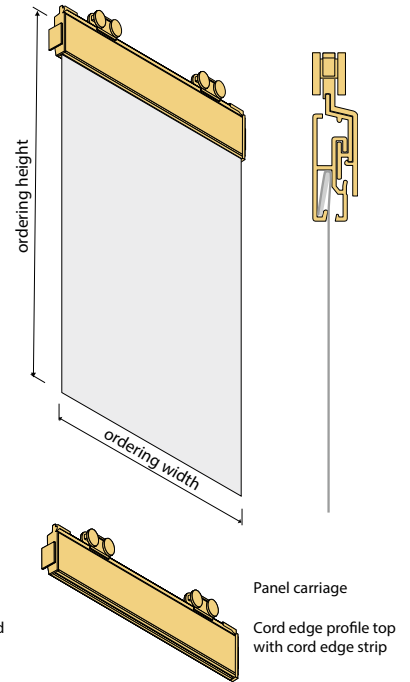
VERSION B

Panel carriage with cord edge and weight profile incl. panel carriage, cord edge profile top with cord edge strip and weight profile 3 x 20 mm at bottom



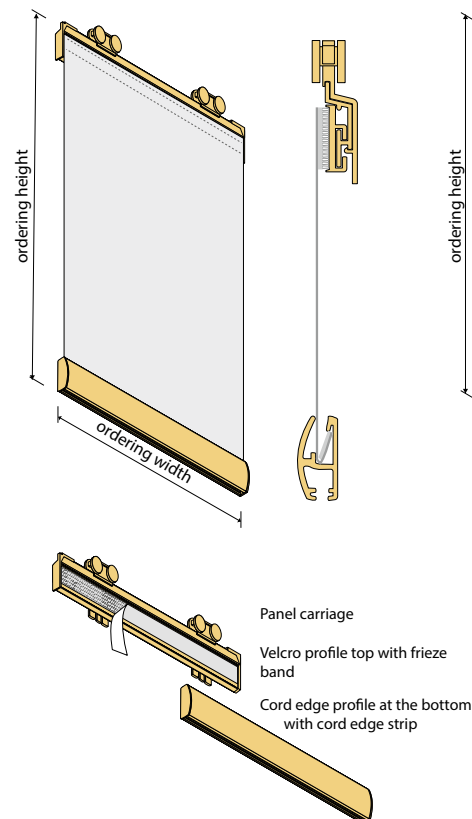
VERSION C

Panel carriage with cord edge profile incl. panel carriage, cord edge profile top with cord edge strip



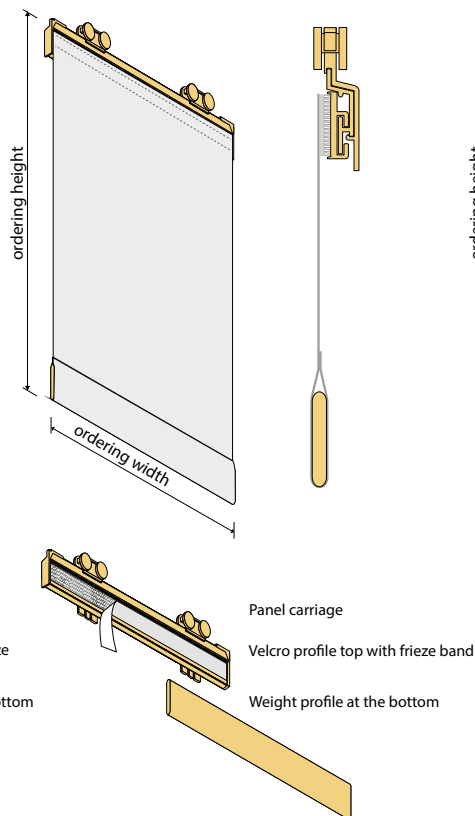
VERSION D

Panel carriage with velcro and cord edge profile incl. panel carriage, velcro profile top with frieze band, and cord edge profile at the bottom with cord edge strip



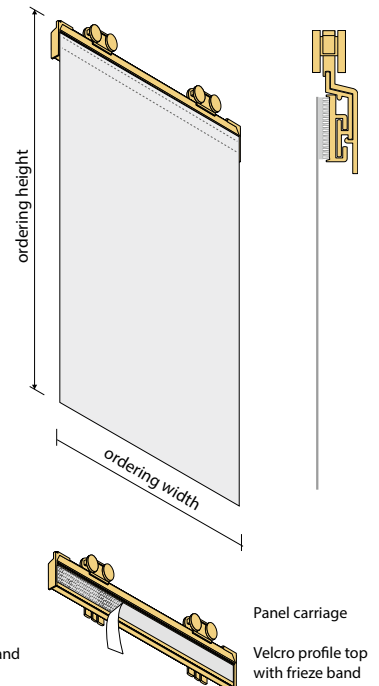
VERSION E

Panel carriage with velcro profile and weight profile incl. panel carriage, velcro profile top with frieze band, weight profile 3 x 20 mm at the bottom



VERSION F

Panel carriage with velcro profile incl. panel carriage, velcro profile top with frieze band



Objecta

Panel blinds

Special solutions / curved bay windows

- Please order through individual parts
- Available for ceiling or wall mounting

General notes

- Please enclose a clear top view sketch with your order
- Dimensional tolerances of +/- 10 mm can occur
- Wall distances are measured from the wall to the rear edge of the rail
- Complex curves must be delivered to the factory as a template (1:1)

Curved panel blind systems are made-to-measure systems that are manufactured individually according to your specifications. Therefore, they cannot be exchanged or returned. Please make sure that you take exact measures.

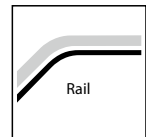


Please note that due to technical reasons the panels can only be shifted through the curve one after the other (starting from outside). Inaccurate overlapping could occur.

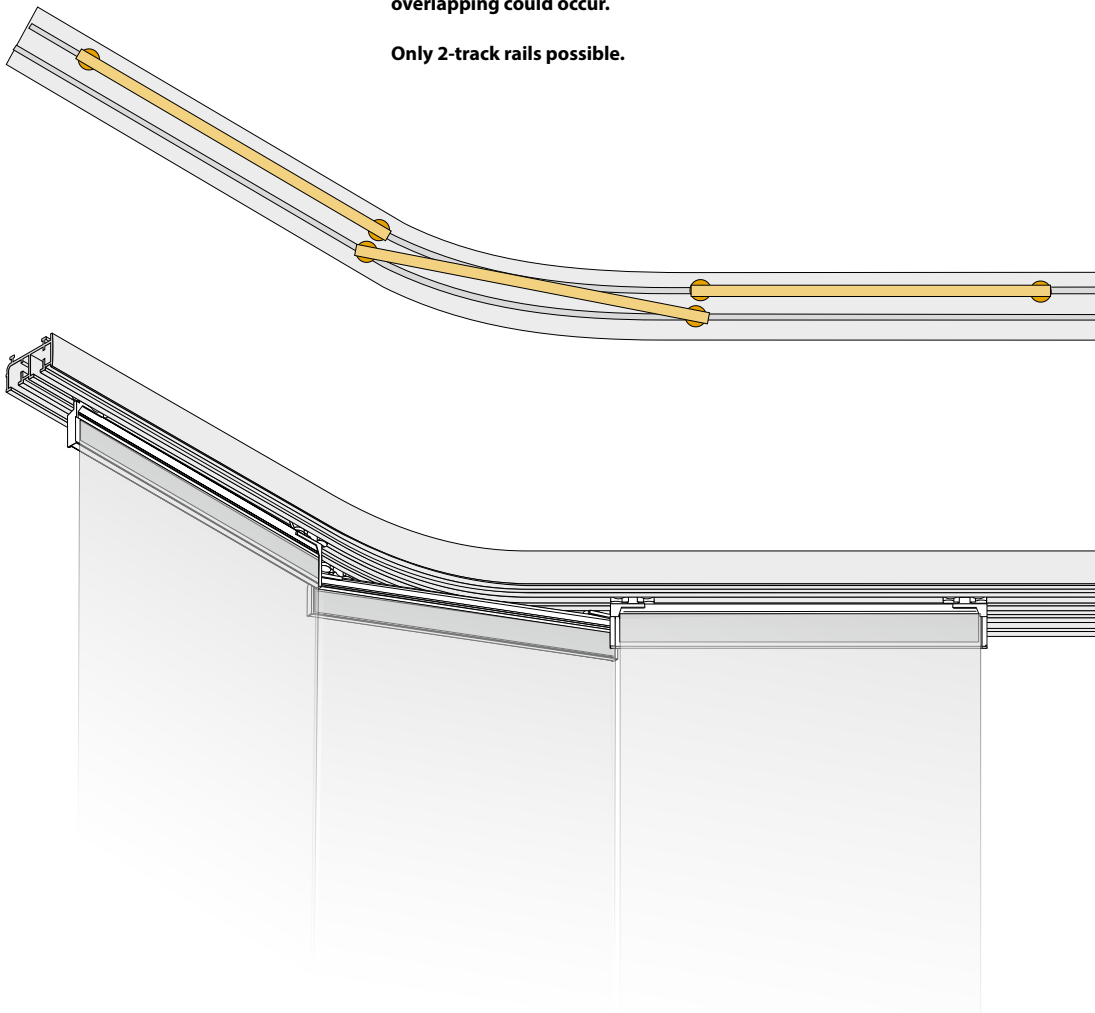
Only 2-track rails possible.

Curve

Radius 600 mm



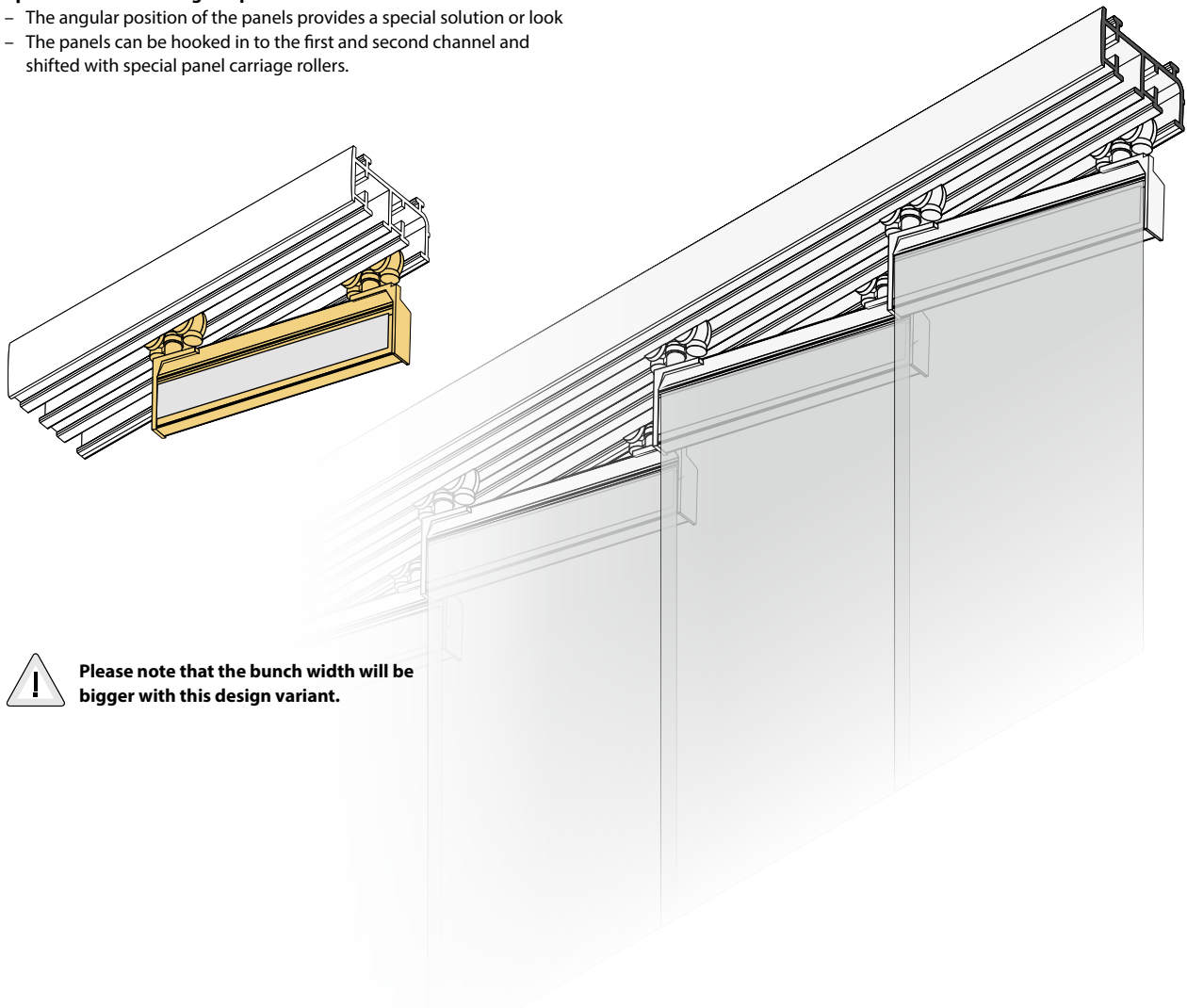
Price upon request



EXAMPLES OF USE

Special solutions / angular position

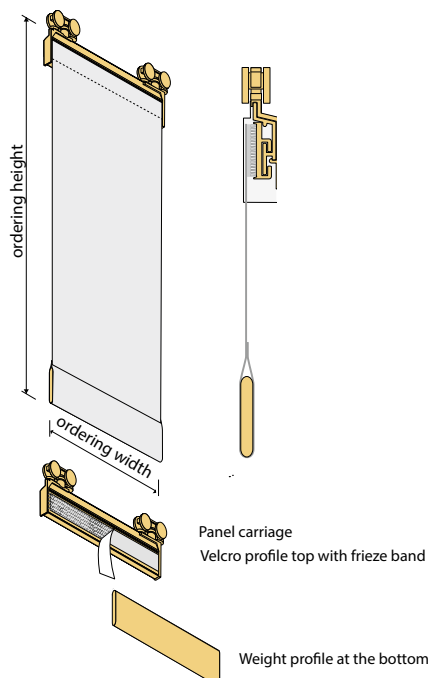
- The angular position of the panels provides a special solution or look
- The panels can be hooked in to the first and second channel and shifted with special panel carriage rollers.



Please note that the bunch width will be bigger with this design variant.

VERSION G

Panel carriage with velcro profile and weight profile
incl. panel carriage with rotatable rollers, velcro profile top with frieze band with frieze band, weight profile 3 x 20 mm at the bottom



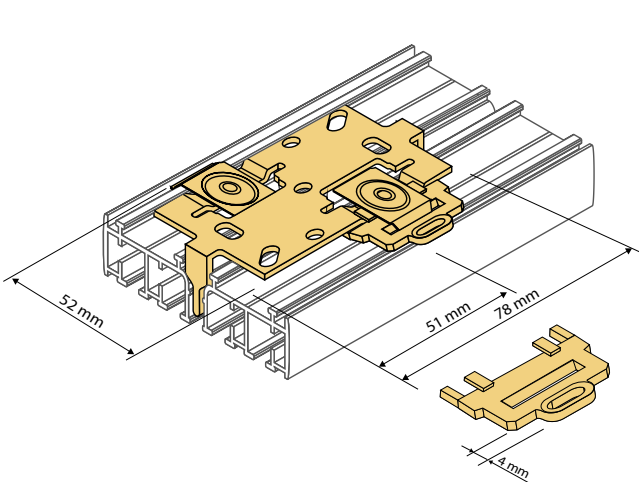
Mounting examples Objecta



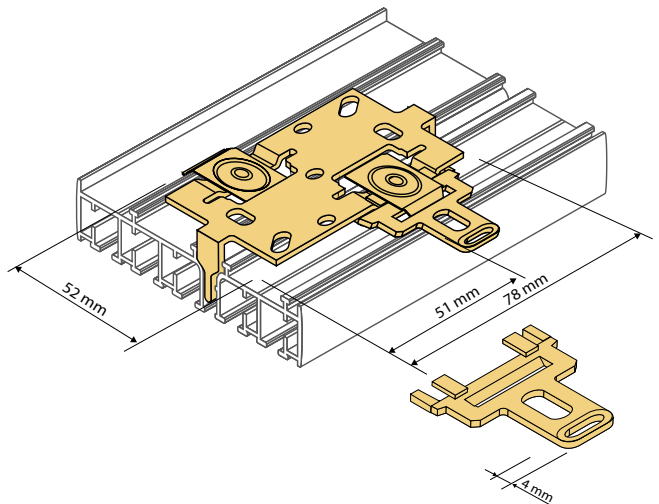
Cropped fixing clip with oval hole for 2 / 3-track rail



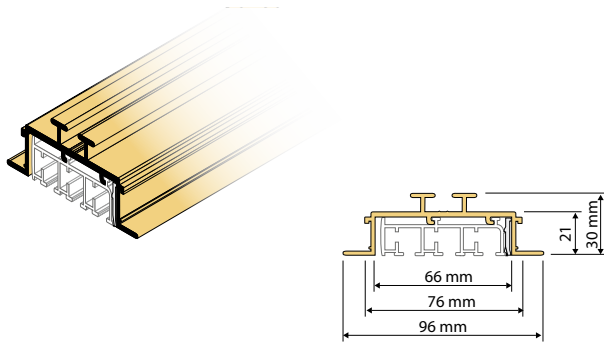
Quick assembly clip with cropped fixing clip for T profile 24–26 mm, only for rails 7620 and 7630



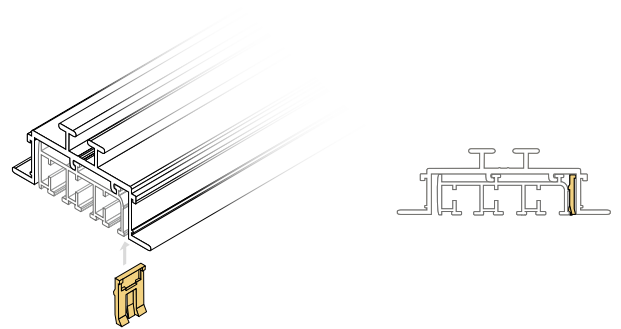
Double ceiling fixing bracket for 4 / 5-track rail incl. release plate



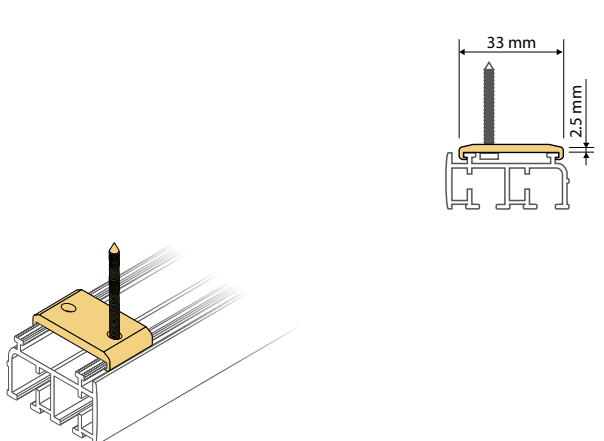
Double ceiling fixing bracket for 6-track rail incl. release plate



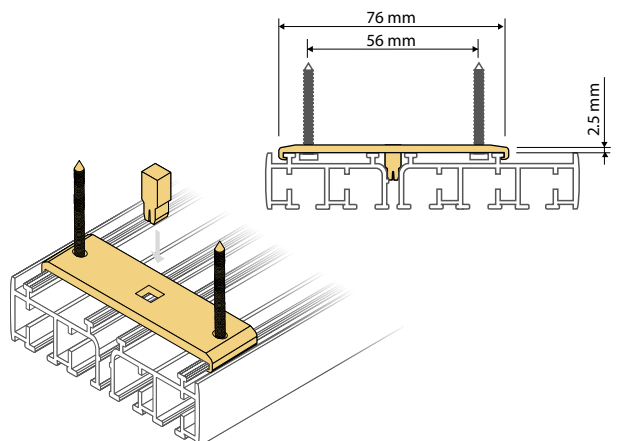
Installation profile for 2 / 3-track rail



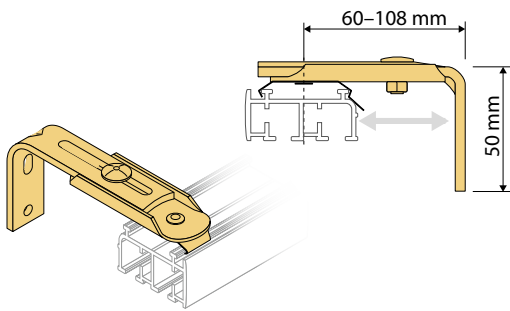
Clamping fixture for installation profile



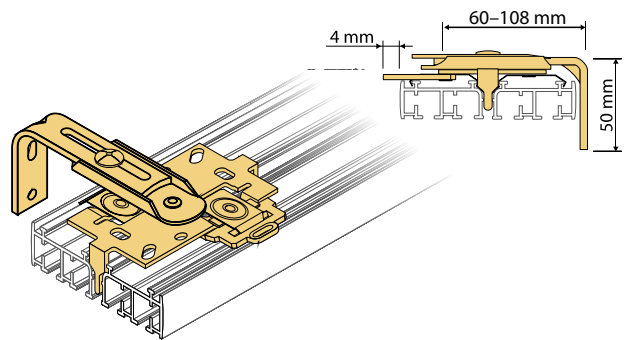
Profile bracket for 2 / 3-track rail
For direct mounting to ceiling



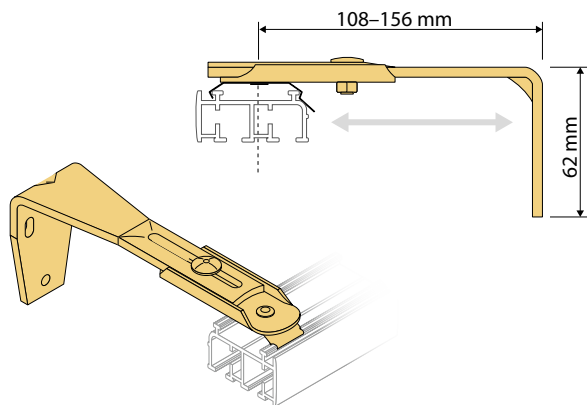
Profile bracket for 4 to 6-track rail
For direct mounting to ceiling or connecting the individual profiles



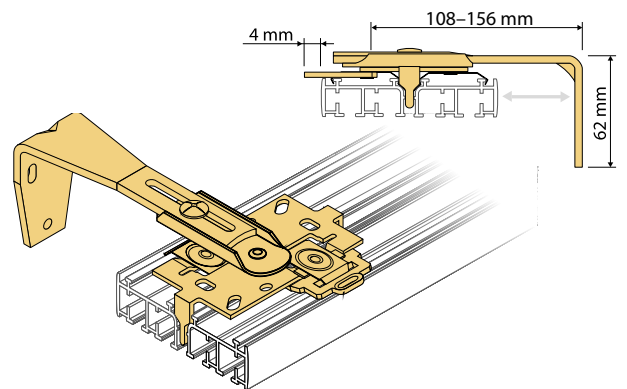
Wall fixing bracket 60-108 for 2 / 3-track rails, metal: white, silver



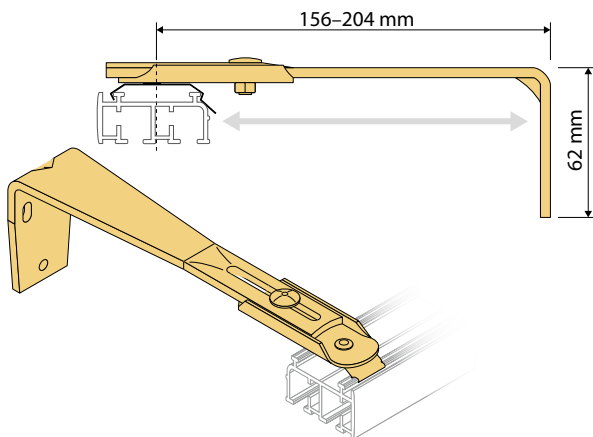
Wall fixing bracket 60-108 for 4 / 5-track and 6-track rails, metal: white, silver



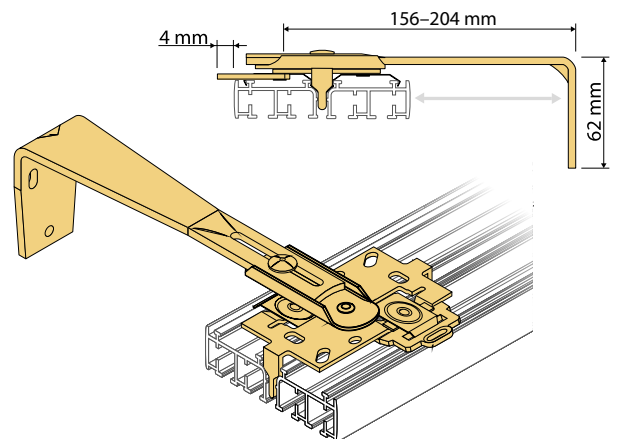
Wall fixing bracket 108-156 for 2 / 3-track rails, metal: white, silver



Wall fixing bracket 108-156 for 4 / 5-track and 6-track rails, metal: white, silver



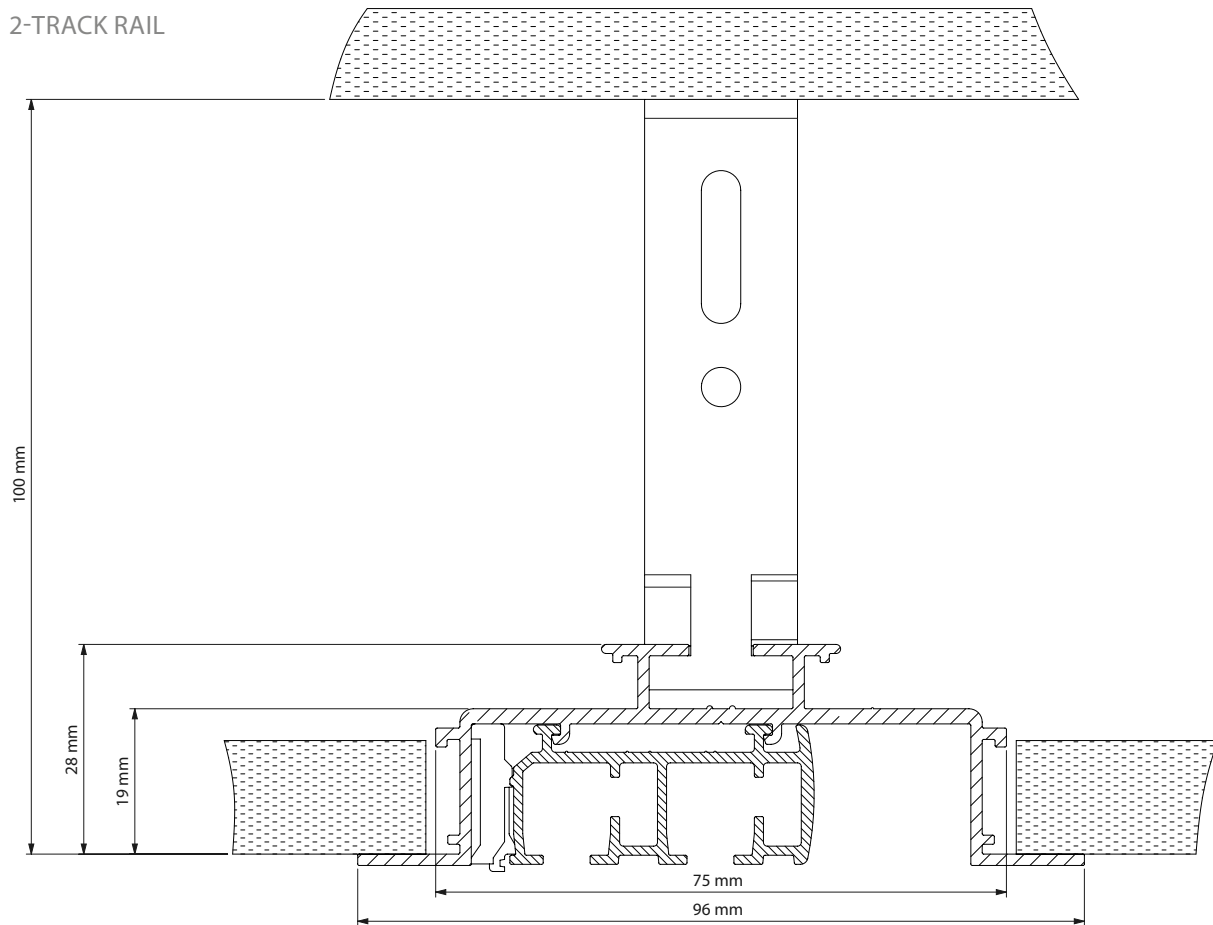
Wall fixing bracket 156-204 for 2 / 3-track rails, metal: white, silver



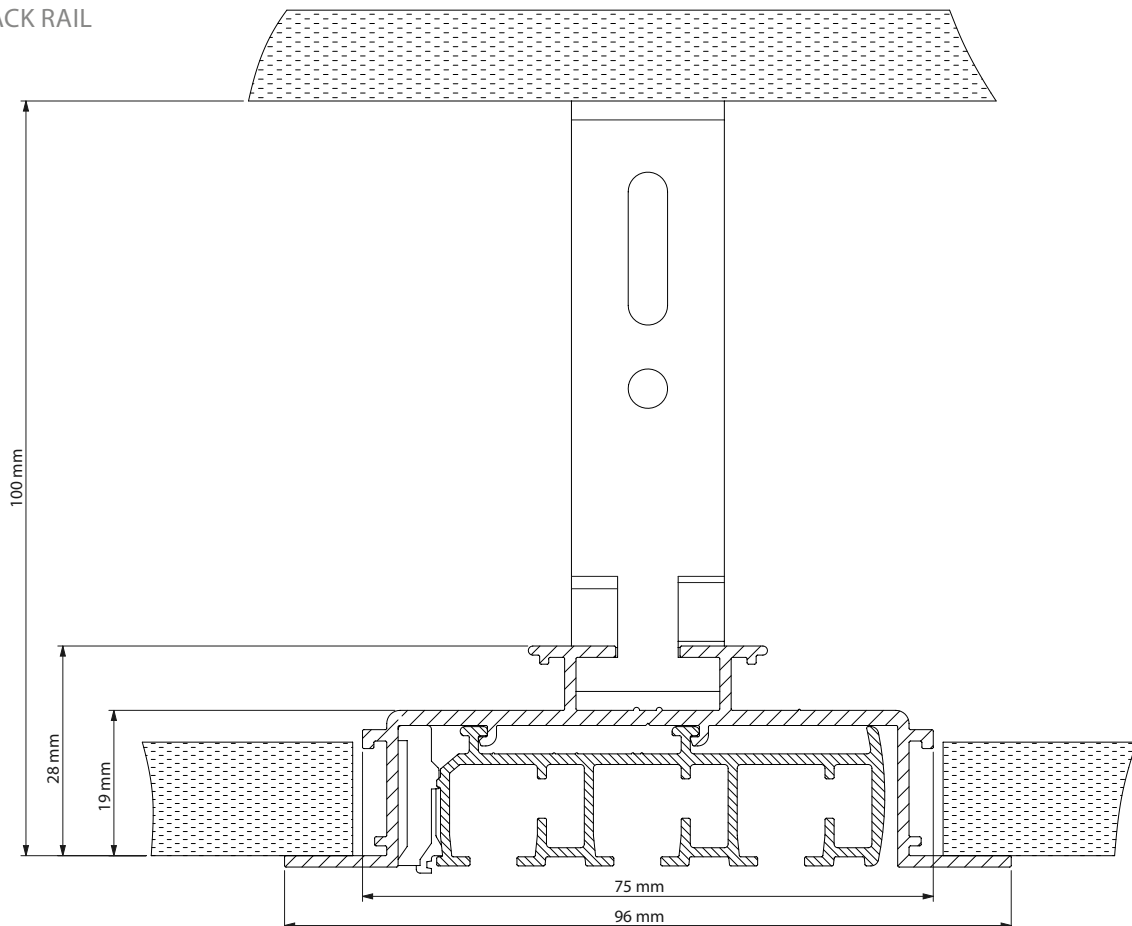
Wall fixing bracket 156-204 for 4 / 5-track and 6-track rails, metal: white, silver

Objecta with installation profile Scale 1:1

2-TRACK RAIL



3-TRACK RAIL



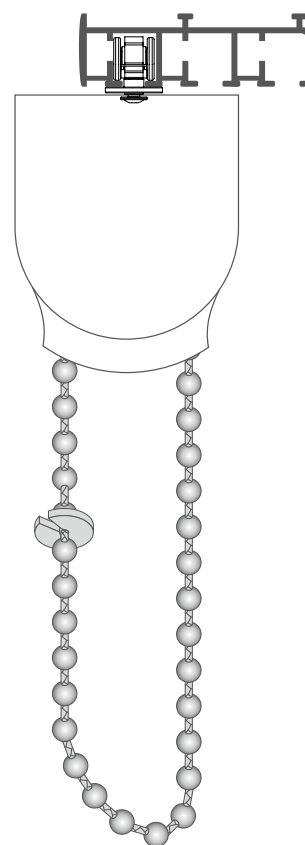
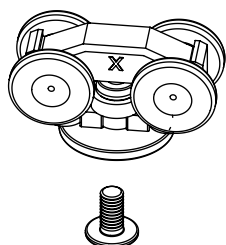
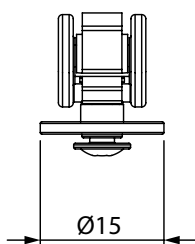
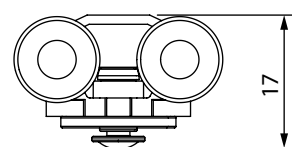
Special carriage for Objecta

- New innovative carriage
- Specifically developed for the erfal panel blind system Objecta
- Panel blind technology combined with sun protection
- Horizontal and vertical operation at the same time
- New design options
- Improved ease of use
- Fixation clip with metric internal thread for many applications
- Clip of sun protection product to be simply screwed to the carriage
- The sun protection product must have a robust profile for mounting

The number of carriages depends on the recommended clips that are included in the standard scope of delivery. We recommend assembly of 2 special carriages on the operating side of the respective product. (Max. load per carriage = 1.4 kg)

The special carriage is suitable for the following products:

- Midi roller blind bracket profile / round and square cassette
- Roman blind mechanism Makom
- Venetian blind Basic Line 16/25 chain (please note that you should mount 2 special carriages per venetian blind fixing bracket)
- Pleated blind free-hanging with chain FK



Please note that you cannot use all tracks of the panel blind rail when you mount a sun protection product. If you wish to install several systems beside each other, additional rails may have to be installed.