

# Light well covers

Insect screens

## Light well covers LI1 LiSA (Variant LI1/1 shown)

### PROFILE / MESH FIXATION

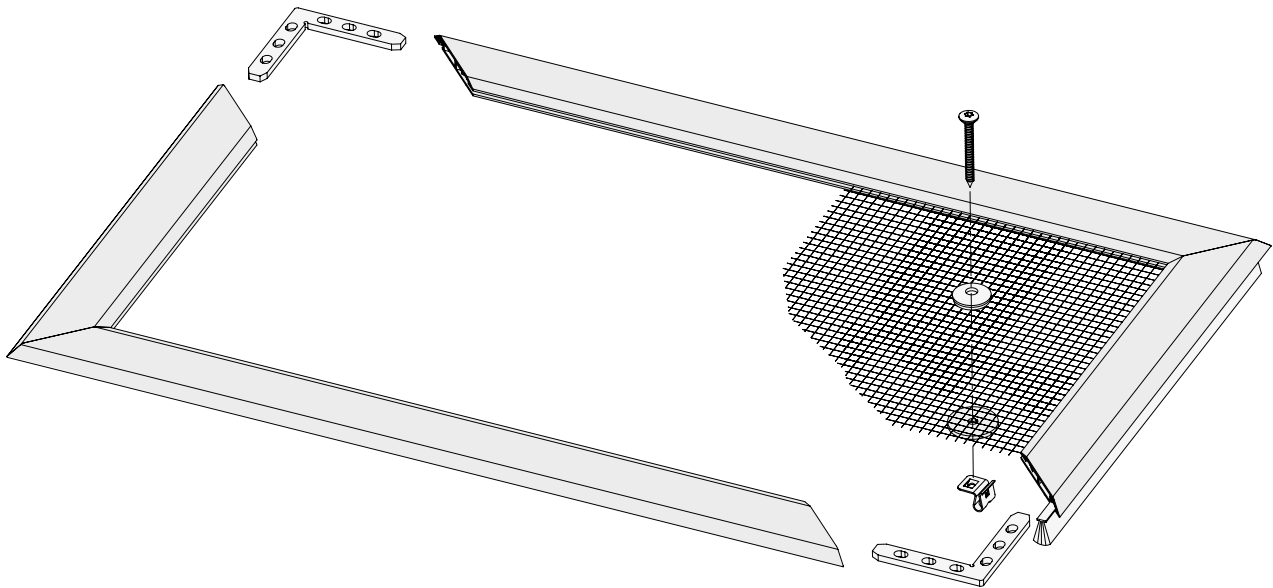
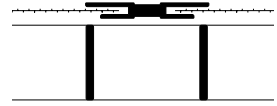
The frame profile, only 6.5 mm high, with special reinforcement has a 45° chamfer to the outside. This edge design reduces the risk of stumbling.

The mesh is fixed with the profile. Thus it is fixed permanently without distorting the profile.

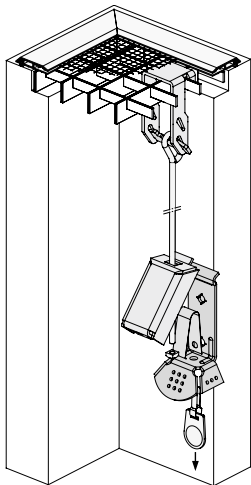
### BAR THAT SPLITS MESH

On request, a bar can be installed that splits the mesh.

From a width (depth) of 2000 mm such a bar is recommended as otherwise the mesh could rattle.



### LIGHT WELL GRATING LOCK



On request, the light well with the integrated cover LiSA can be equipped with a special light well grating lock system.

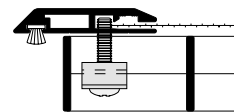
The grating lock can be unlocked easily with a cotter. An integrated spring mechanism opens the suspended lock automatically so that it can be removed easily.

The Neher light well grating lock is also suitable for escape routes.

### FIXATION

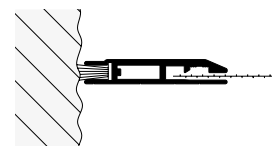
The standard light well grating lock LiSA is screwed to the grating with a locknut from top.

On request, the grating can be locked concealed through bolting from the bottom.



### WALL SEALING

Sealing towards the wall is done with the profile 10 33 07. This profile can be provided with brush piles 15 mm (standard) to 30 mm.



## Available mesh

Type of mesh	Design/colour	Product group							
		SP	DF	DT	RF	RT	ER	ST	LI
Transpatec	TTA - anthracite	•	•	•	•	•	•	•	
Glass fibre fabric	FA - anthracite	•	•	•	•	•	•	•	
	FG - grey	•	•	•	•	•	•	•	
Transpatec fine-mesh fabric	TFP - anthracite	•	•	•	•	•	•	•	
Polltec pollen protection fabric	PIA - anthracite	•	•	•				•	
HF electro-smog shielding mesh	EG - anthr./grey	•	•	•	•			•	
Polyester fabric	PA - anthracite	•	•	•				•	
	PG - grey	•	•	•				•	
Polyester fabric electric roll-up screen	PAE - anthracite						• (1)		
Sun protection glass fibre fabric	IS - anthracite				•				
Aluminium mesh	AA - anthracite	•	•	•				•	
Stainless steel mesh V2A	V2 - grey	•	•	•				•	
Stainless steel mesh V4A	V4 - grey	•	•	•				•	
Stainless steel mesh for light well V2A	V2 - grey								•
Expanded metal - aluminium	SMA - anthracite								•
	SMG - grey								•

(1) The polyester mesh PAE can only be used for the electrical roll-up screen ER2.



Refer to our catalogue of insect screen products for our whole range of products of insect screens.