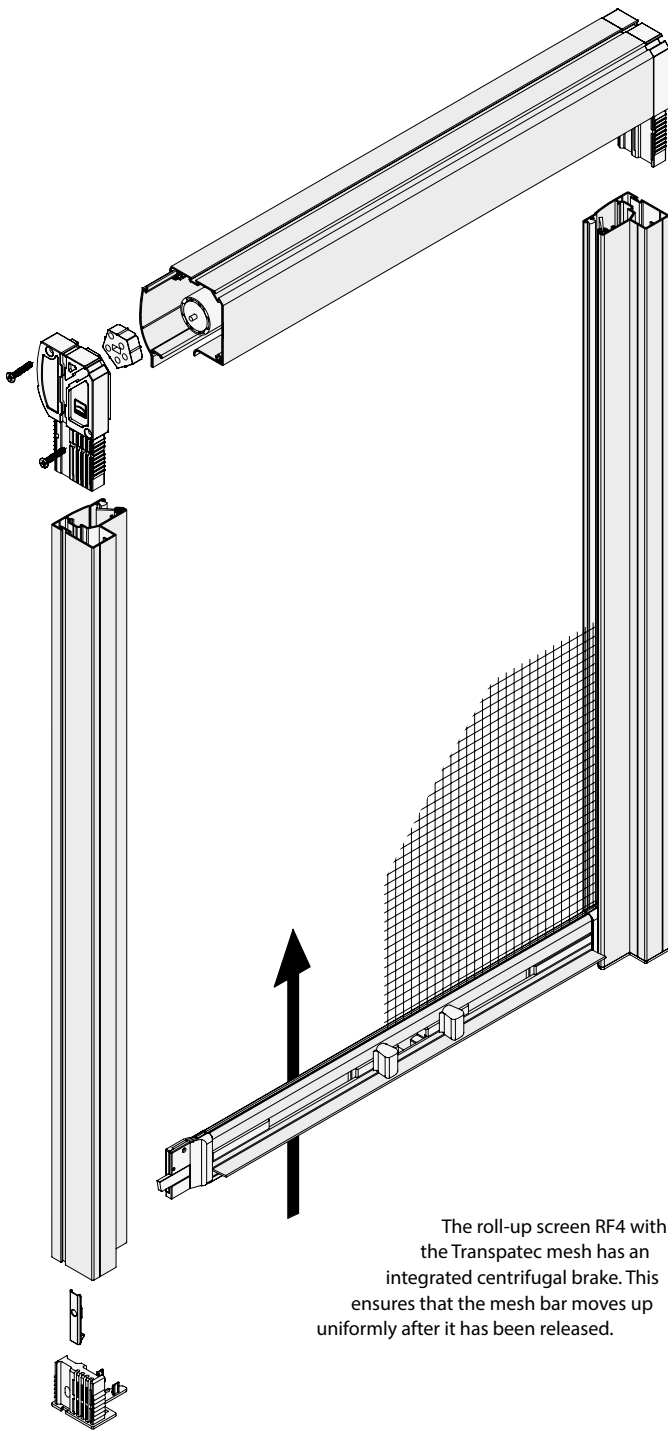


Roll-up screens for windows RF4 (Variant RF4/2 shown)



The roll-up screen RF4 with the Transpatec mesh has an integrated centrifugal brake. This ensures that the mesh bar moves up uniformly after it has been released.

MESH UNWINDING EDGE

The mesh unwinding edge ensures that the fabric is always thoroughly stretched and insects cannot slip through at the mesh roll.

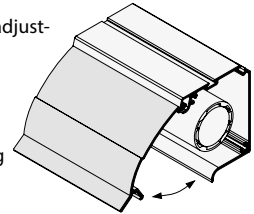
Additionally, the central position of the mesh provides space for the handle (easy operation even under cramped installation conditions).

HINGED SERVICE COVER

The cover of the screen roll case can be easily folded out even in its installed position.

This allows removing the mesh tube or readjusting the spring with a special pretensioner.

The height adjustment disk is used to adjust the tilt of the mesh tube (compensation of inaccuracies that occurred during installation).

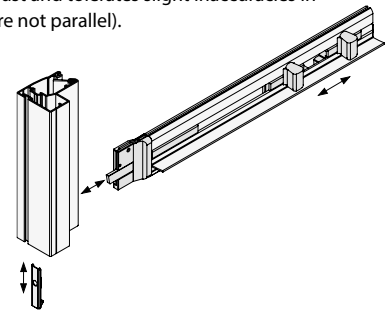


HANDLE WITH INTEGRATED LOCK

The handle is designed for one-hand operation with horizontal spring lock, the counterpart of which can be adjusted in height.

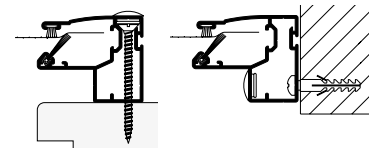
This technology is very robust and tolerates slight inaccuracies in installation (guiding rails are not parallel).

In addition, no space for downward motion is required for unlocking (mounting on window sill).



LATERAL GUIDING RAILS

The extra strong guiding rail has separate installation pockets. This makes installation considerably easier.



ADDITIONAL LOCKING POINT

Another lock counterpart provides for another locking point.

This prevents that the mesh roll accidentally moves outside reach. Alternatively, a control rod or pull cord can be used.

