

Roller blind insect screens for doors

Insect screens

Roll-up screens for doors RT4

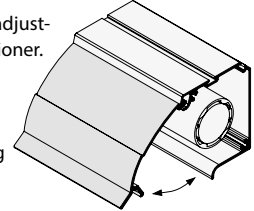
(Variant RT4/2 shown)

HINGED SERVICE COVER

The cover of the screen roll case can be easily folded out even in its installed position.

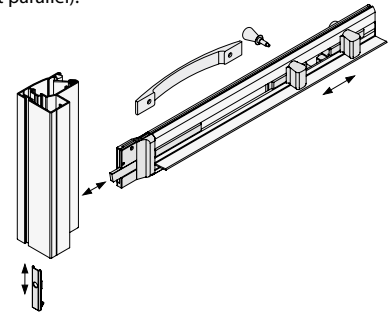
This allows removing the mesh tube or readjusting the spring force with a special pretensioner.

The height adjustment disk is used to adjust the tilt of the mesh tube (compensation of inaccuracies that occurred during installation).



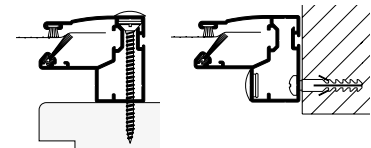
HANDLE WITH INTEGRATED LOCK

The handle is designed for one-hand operation inside or outside with horizontal spring lock whose counterpart can be adjusted in height. This technology is very robust and tolerates slight inaccuracies in installation (guiding rails are not parallel).



SIDE GUIDING RAILS

The extra strong guiding rail has separate installation pockets. This makes installation considerably easier.



The roll-up screen RT4 with the Transpatec mesh has an integrated centrifugal brake.

This ensures that the screen bar retracts when released.

MESH UNWINDING EDGE

The mesh unwinding edge ensures that the mesh is always thoroughly stretched and insects cannot slip through at the mesh roll.

Additionally, the central position of the mesh provides space for the handle (easy operation even under cramped installation conditions).

