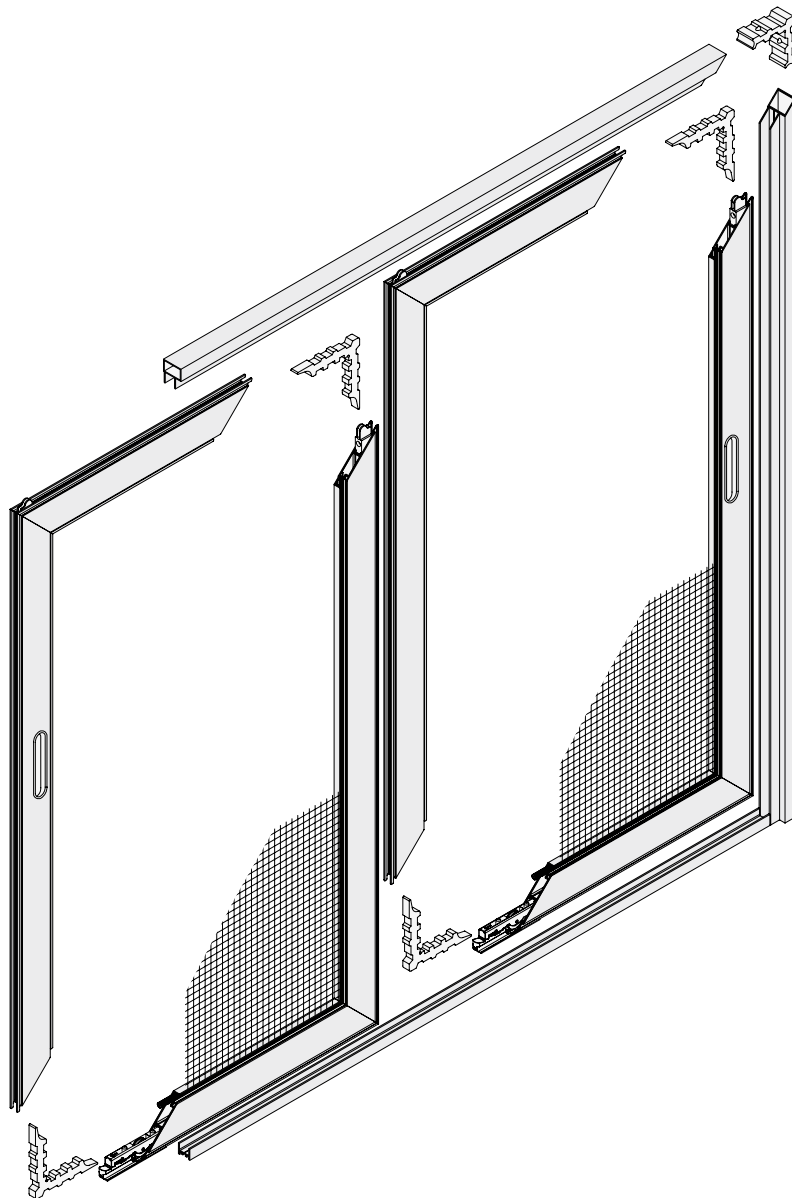


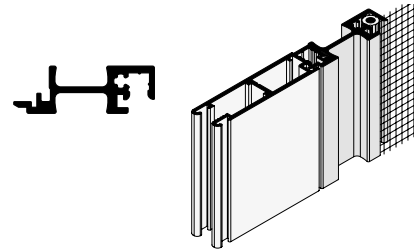
Sliding screens ST3

(Variant ST3/50 shown)



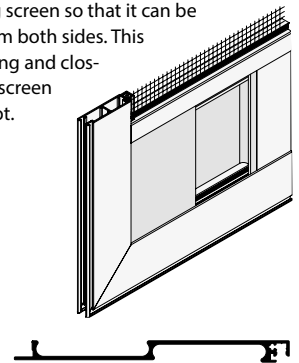
HANDLE STRIP

The handle strip can be used as an alternative for the handle recess. This considerably increases the screen profile stability. It permits installation of roll-away screens up to 3.0 m high. Due to the continuous handle the sliding screen can be operated easily at any height making them ideal for children. The slim track rail profile allows 14 mm installation depth.



FOOT OPERATION RECESS

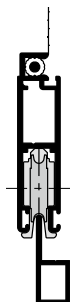
A foot operation recess can be installed in connection with a footplate on both sides of the sliding screen so that it can be operated from both sides. This allows opening and closing a sliding screen with your foot.



HEIGHT-ADJUSTABLE ROLL WITH TRACK RAIL GUIDE

To compensate installation tolerances, the sliding screen can be adjusted with the help of a height-adjustable roll. Up to 8 mm offset of the screen joint can be compensated.

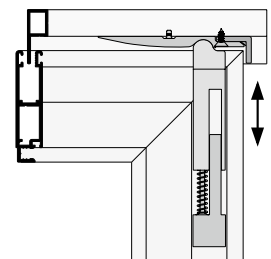
The track rail guiding integrated in the roll prevents "jumping" of the screen in which the track rail strip gets jammed between the roll and the screen profile.



SPRING-SUPPORTED ROLL-AWAY SCREEN GUIDE WITH LOCK

The spring-supported sliding screen guide and the lock that is mounted to the top guiding rail hold the sliding screen in its limit position.

This retaining force can be adjusted steplessly.

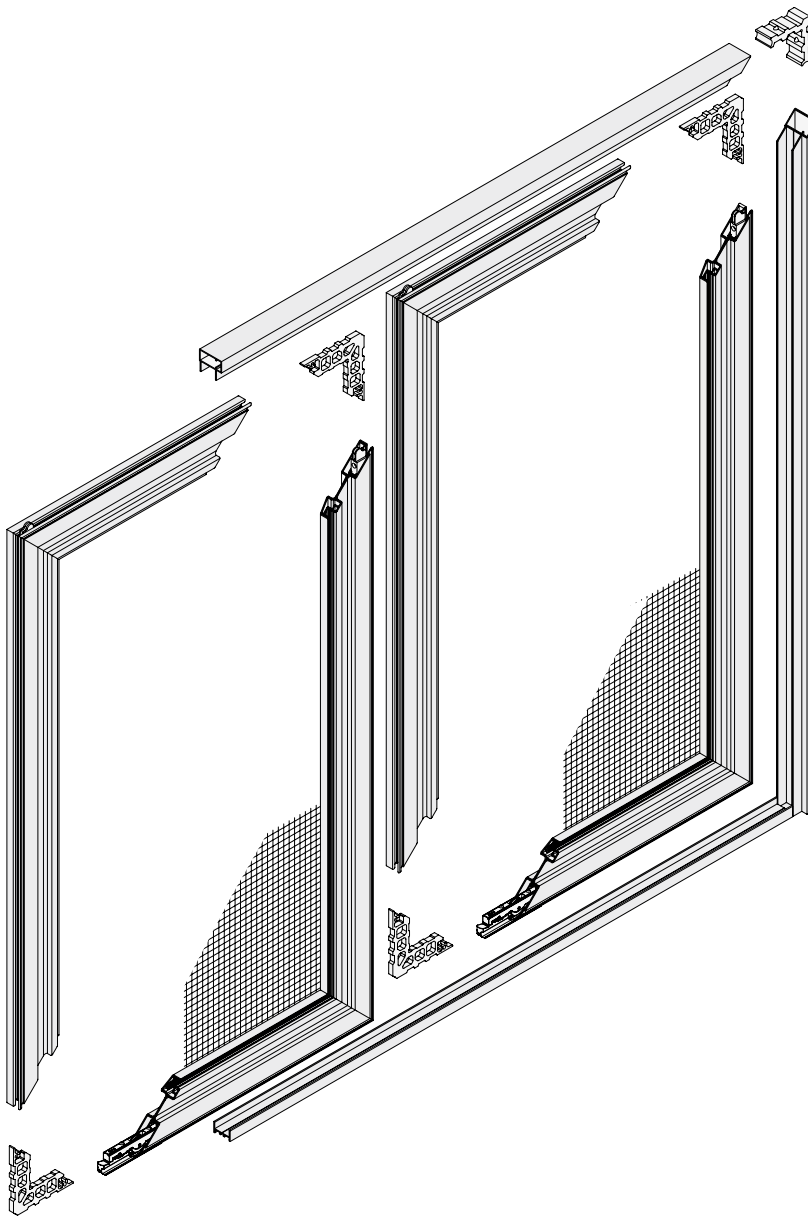


Sliding screens for doors

Insect screens

Sliding screens ST4

(Variant ST4/50 shown)

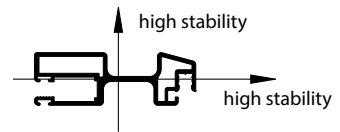


INTEGRATED HANDLE STRIP

A handle strip is integrated in the sliding screen. The corner channel installed at the side of the trail rack adds to the high stability of the profile, in lateral and longitudinal direction.

This allows installation of roll-away screens up to 3.5 m high.

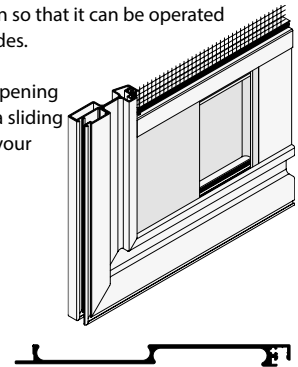
Due to the continuous handle the sliding screen can be operated easily at any height making them ideal for children.



FOOT OPERATION RECESS

A foot operation recess can be installed in connection with a footplate on both sides of the sliding screen so that it can be operated from both sides.

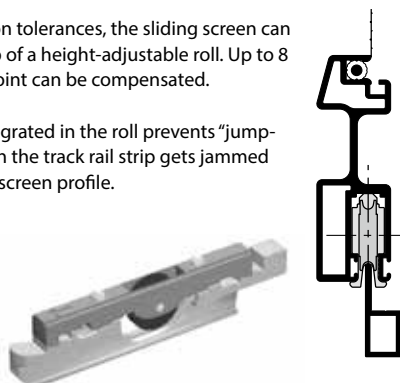
This allows opening and closing a sliding screen with your foot.



HEIGHT-ADJUSTABLE ROLL WITH TRACK RAIL GUIDE

To compensate installation tolerances, the sliding screen can be adjusted with the help of a height-adjustable roll. Up to 8 mm offset of the screen joint can be compensated.

The track rail guiding integrated in the roll prevents "jumping" of the screen in which the track rail strip gets jammed between the roll and the screen profile.



SPRING-SUPPORTED ROLL-AWAY SCREEN GUIDE WITH LOCK

The spring-supported sliding screen guide and the lock that is mounted to the top guiding rail hold the roll-away screen in its limit position.

This retaining force can be adjusted steplessly.

