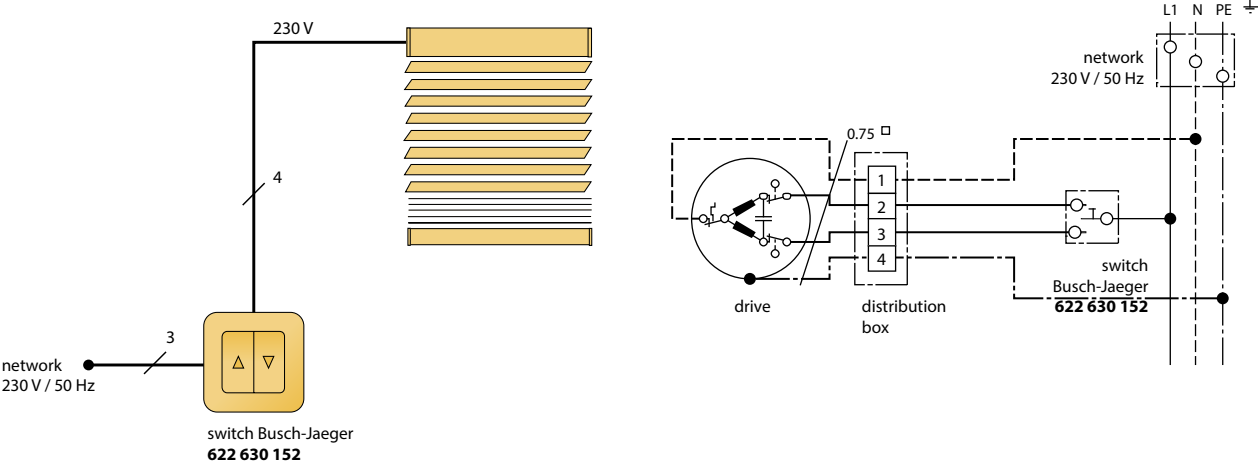
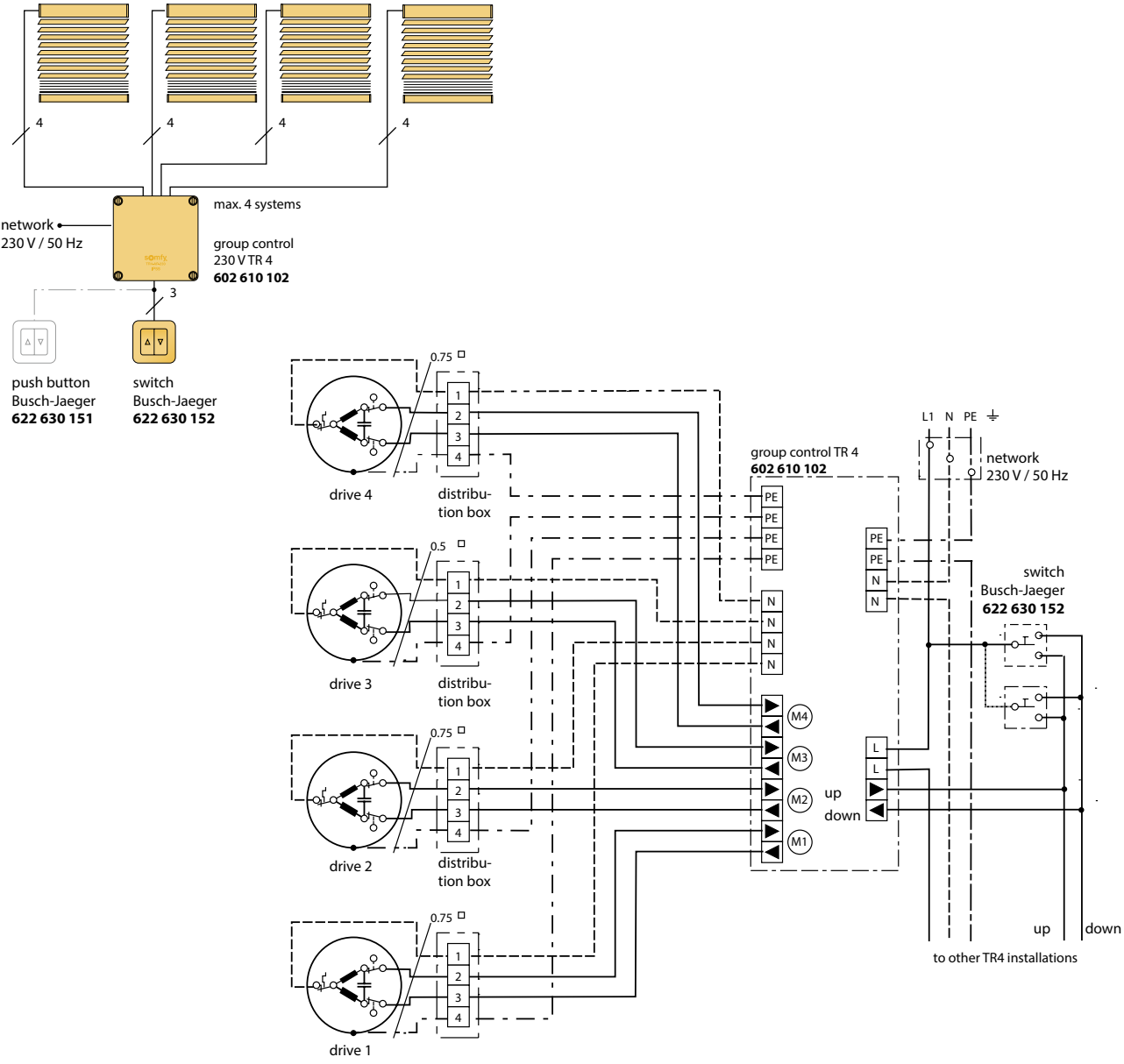


Single operation



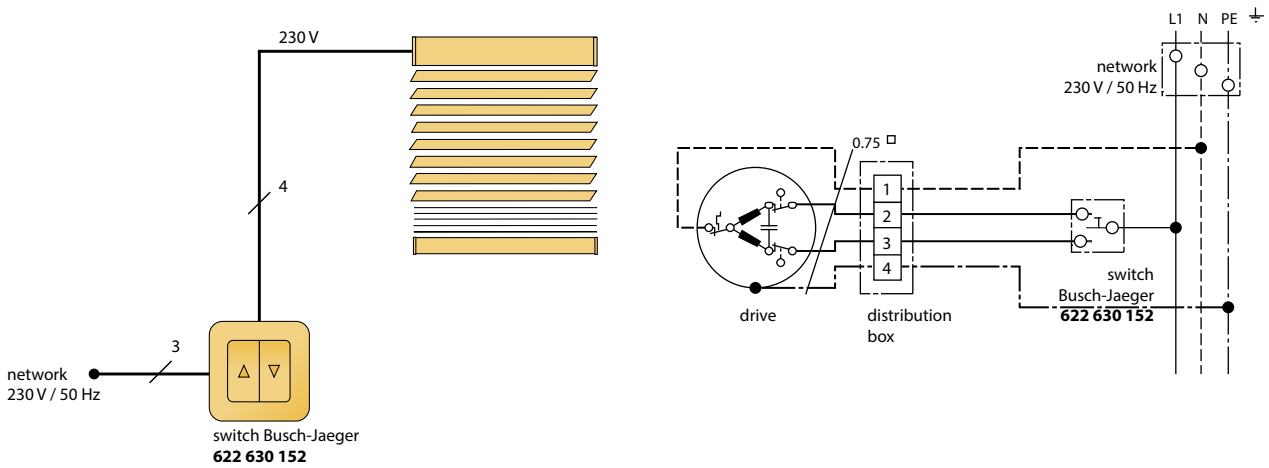
Group operation



Circuit diagrams 230 V

Venetian blinds

Single operation



Group operation

