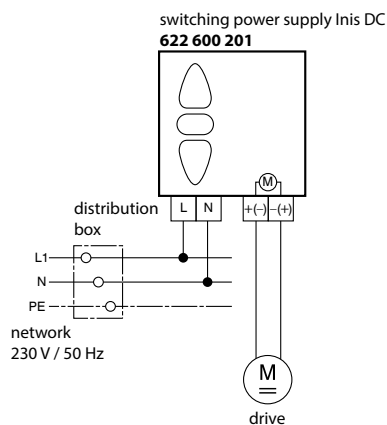
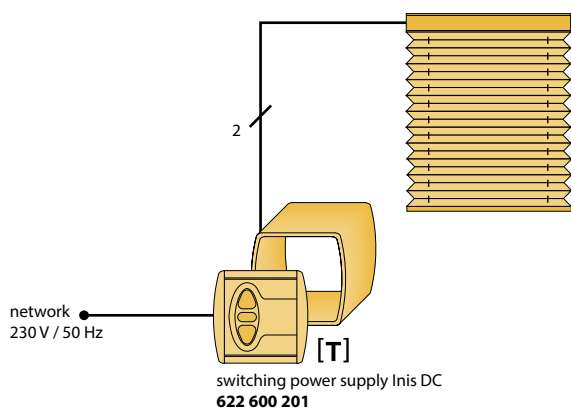
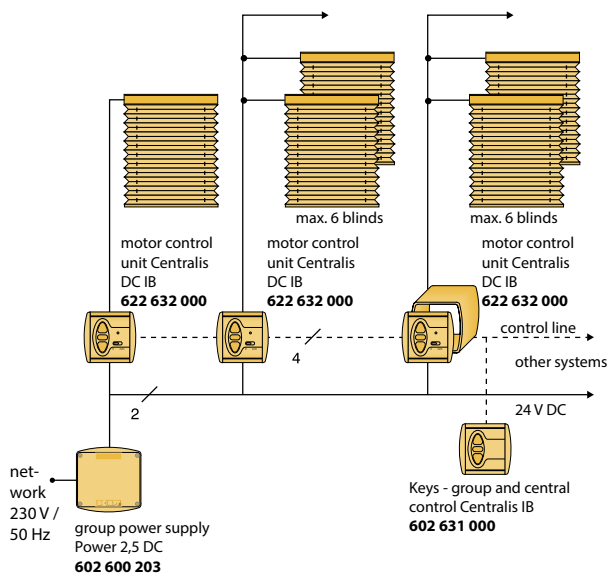


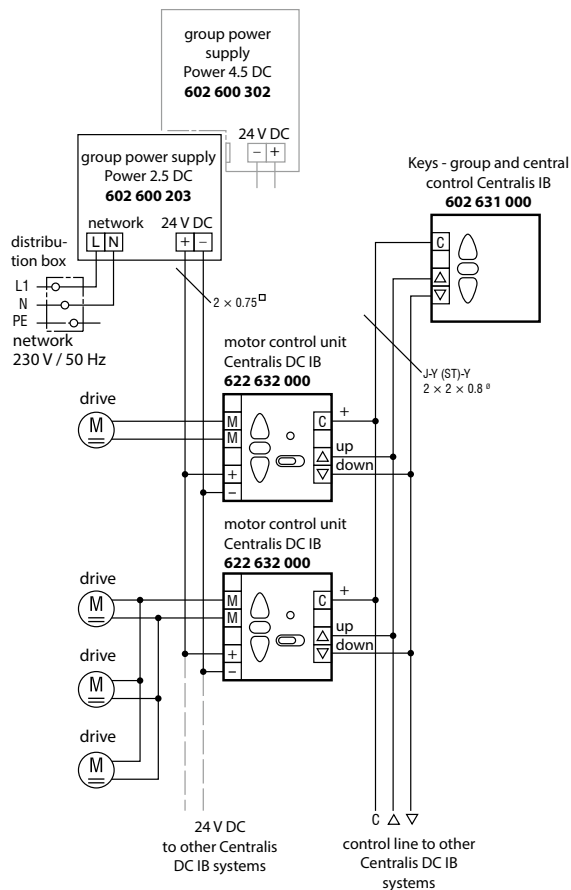
Single operation



Group operation



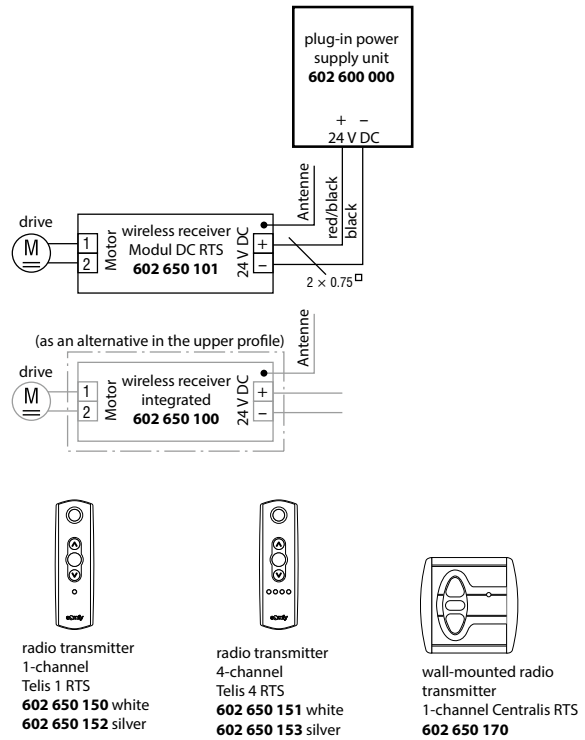
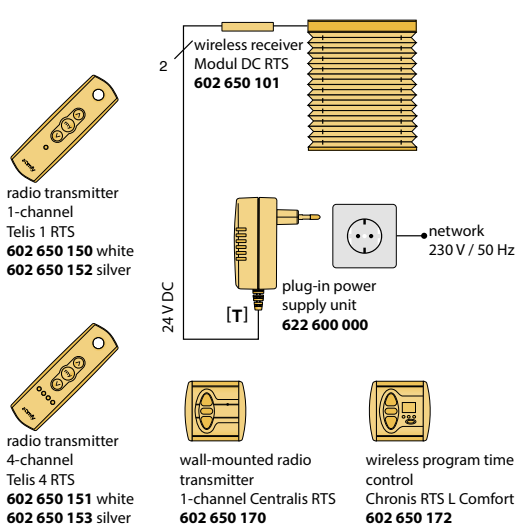
Please note maximum number of drives per power supply unit.
If required, use the group power supply Power 4.5 DC.



Circuit diagrams

Pleated blinds

Single remote control



Group remote control

