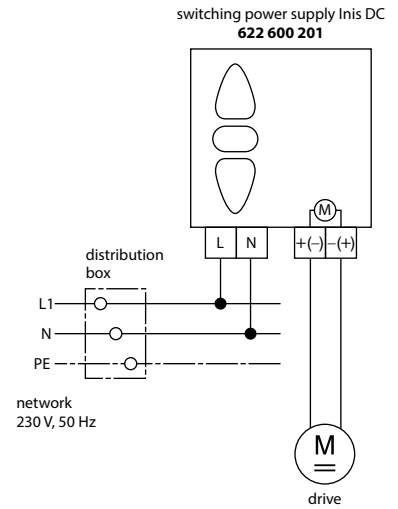
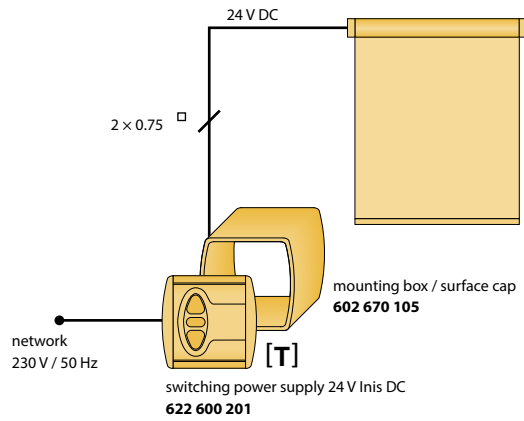
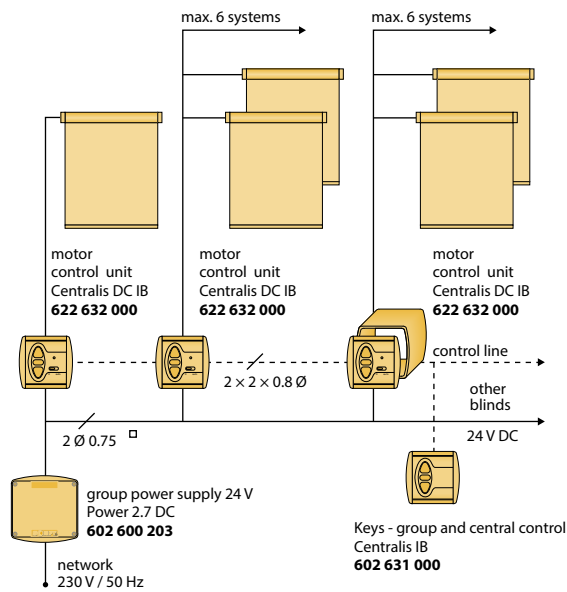


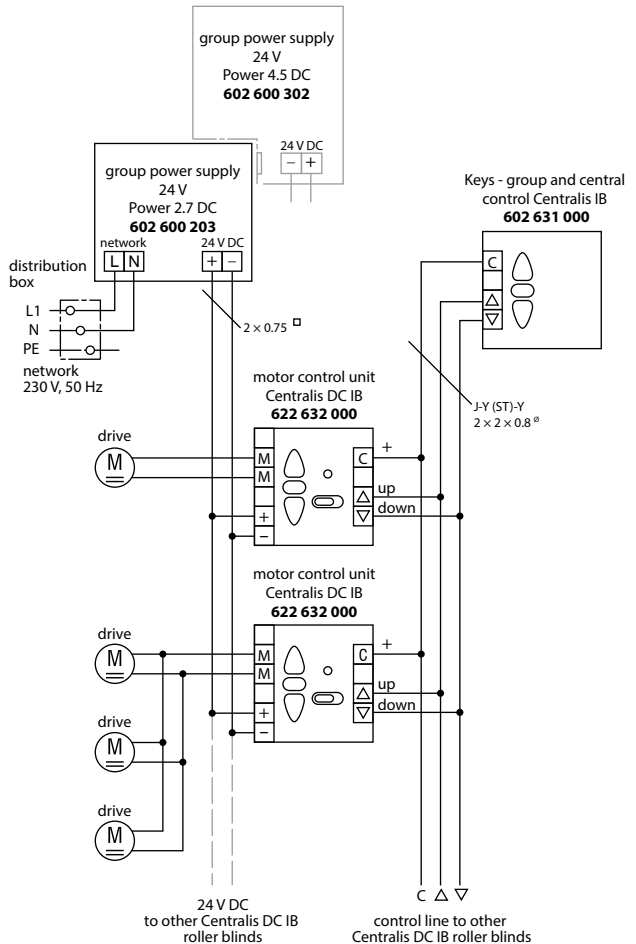
## Single operation



## Group operation



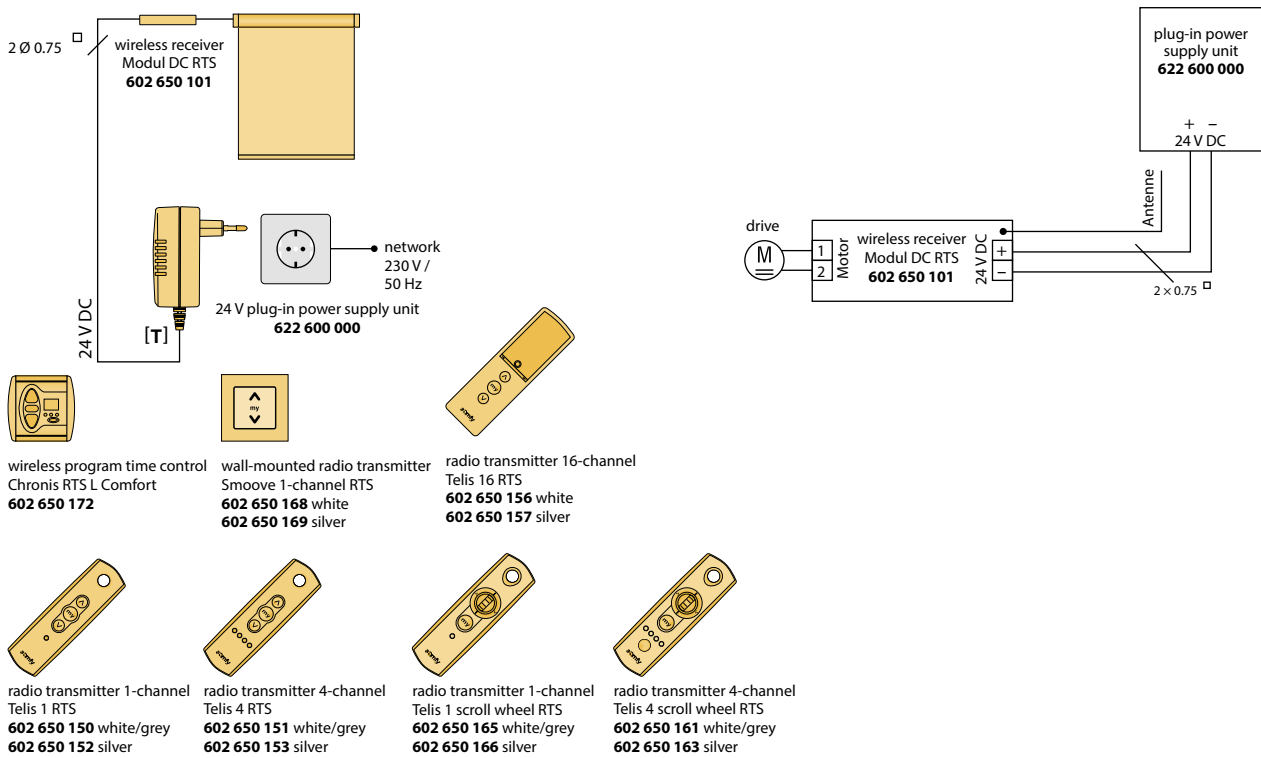
Please note maximum number of drives per power supply unit. If required, use the group power supply Power 4.5 DC.



# Circuit diagrams 24 V

Roller blinds

## Single remote control



## Group remote control

