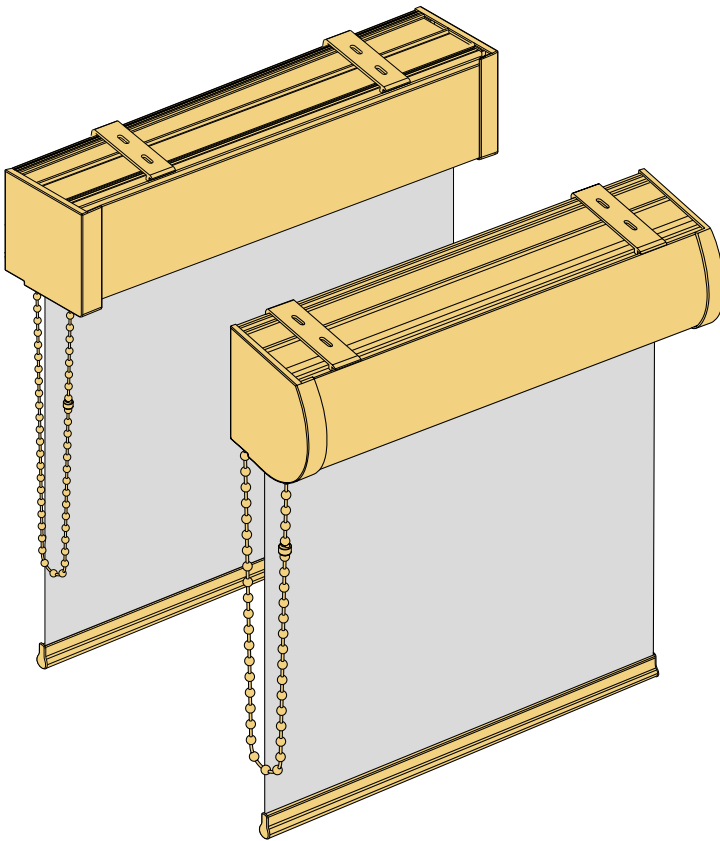


XL - Roller blinds

Roller blinds

XL - Cassette E 117, R 120



- Customization
- Cassette roller blind (removable cap to allow inspection)
- Coupled systems possible (max. width 600 cm, max. area 16 m²)
- Aluminium shaft: Ø 52 mm and Ø 65 mm with piping groove
- Operating elements in transparent, grey or nickel
- Operating side right or left possible
- Plastic parts in white or grey
- Powder-coated aluminium end profile (white RAL 9016 or grey RAL 9006)
- Bracket fixation (ceiling or wall)
- Side guidance (rope guidance) available

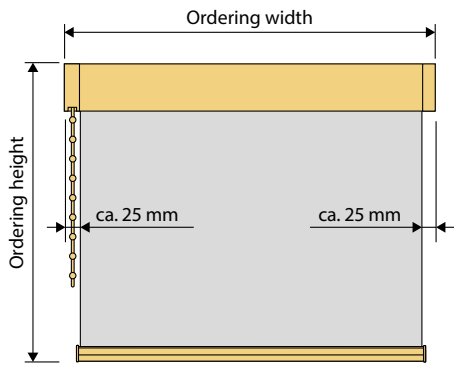
RANGE OF SIZES

min. width	40 cm
max. width	440 cm
max. height	400 cm*
max. area	ca. 16 m ² *
max. weight	12 kg

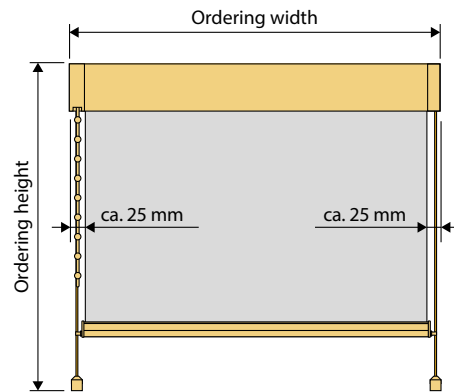
*depending on fabric

Site measuring XL - Cassette E 117, R 120

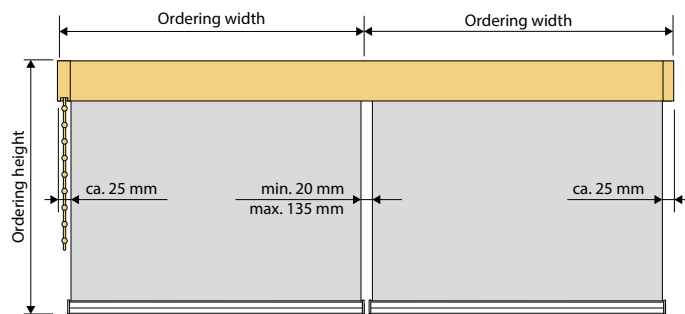
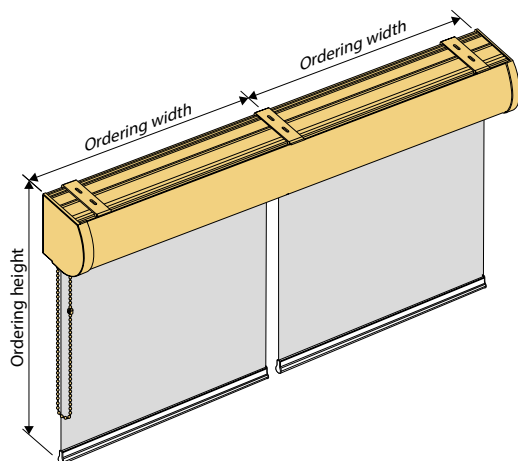
Site measuring and fabric deduction



Rope guidance



Site measuring and fabric deduction – coupled systems



No profile guidance possible

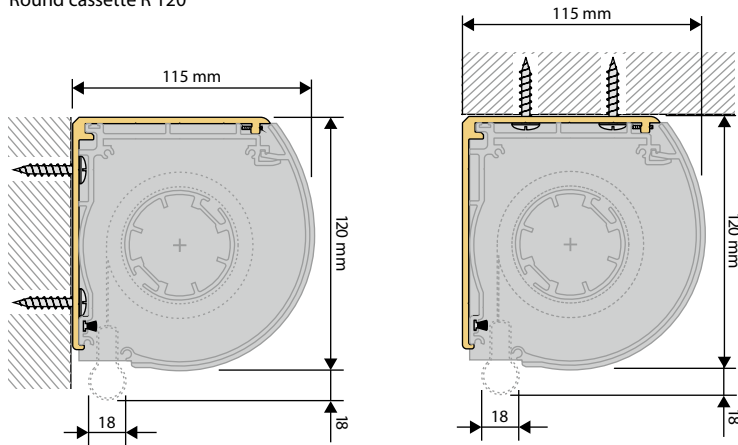
XL - Roller blinds

Roller blinds

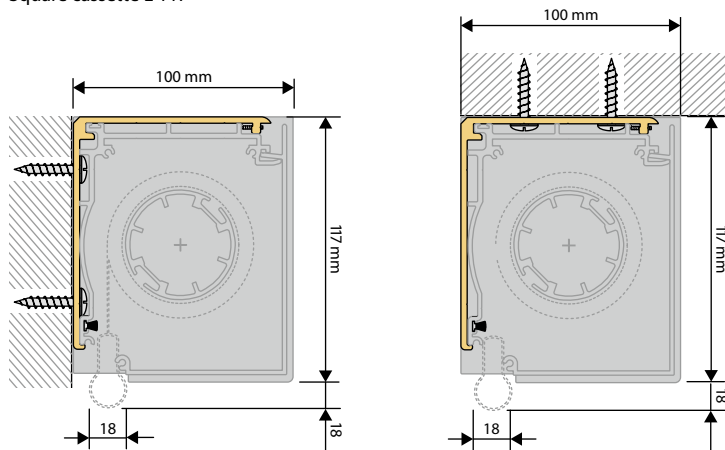
Assembly types XL - Cassette E 117, R 120

Wall- / ceiling fixation with bracket

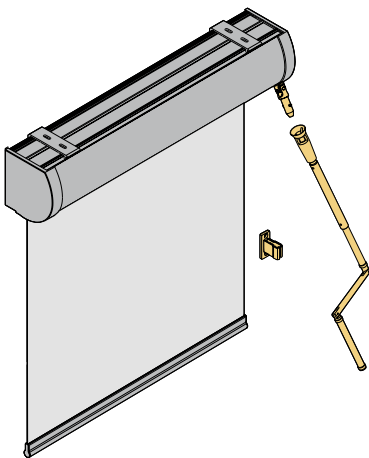
Round cassette R 120



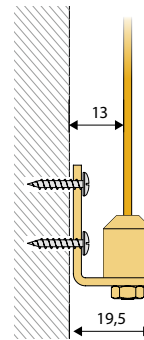
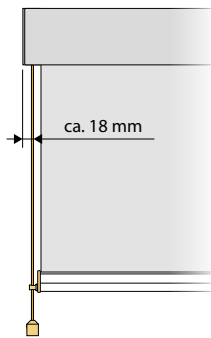
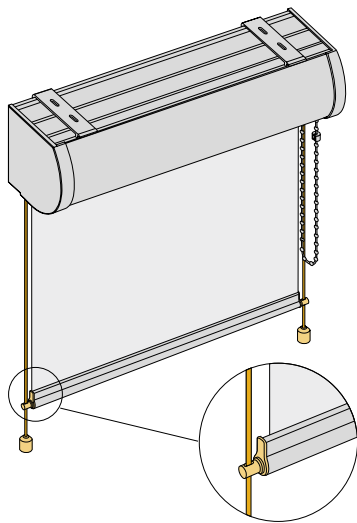
Square cassette E 117



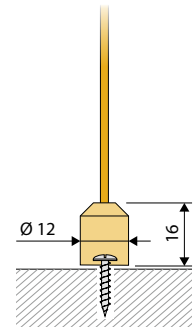
Crank operation



Rope guidance



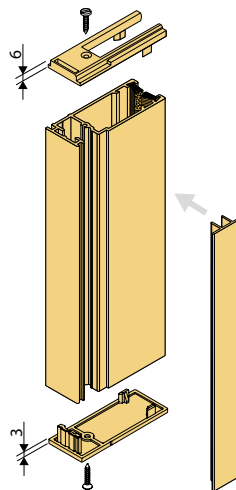
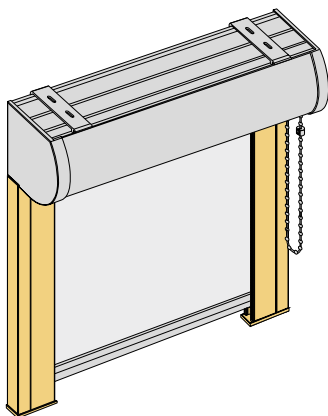
Wall fixation with bracket



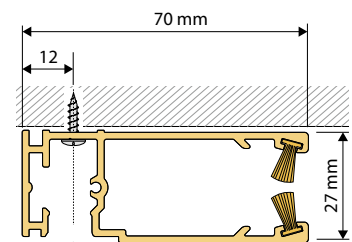
Bottom fixation

Side guidance, closing profile round and square cassette

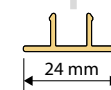
Profile guidance for Wall fixation



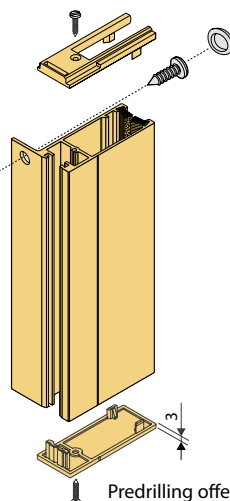
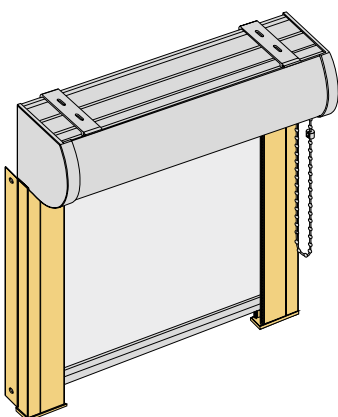
Predrilling offered for an extra charge.



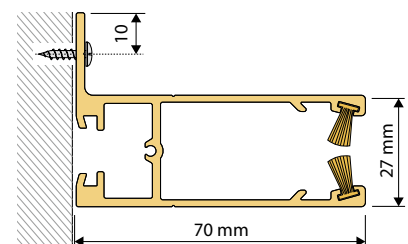
Brush (standard)



Profile guidance for niche fixation



Predrilling offered for an extra charge.

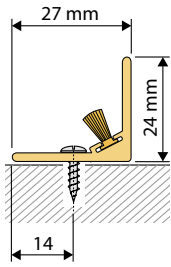
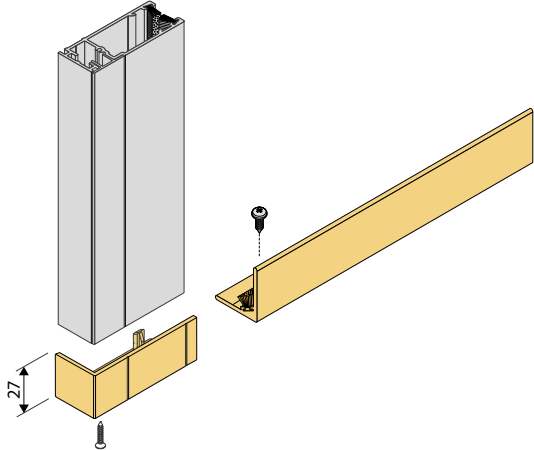
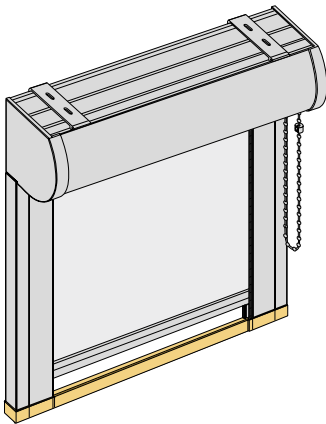


Brush (standard)

XL - Roller blinds

Roller blinds

Closing profile



Brush (standard)

Predrilling offered for an extra charge.